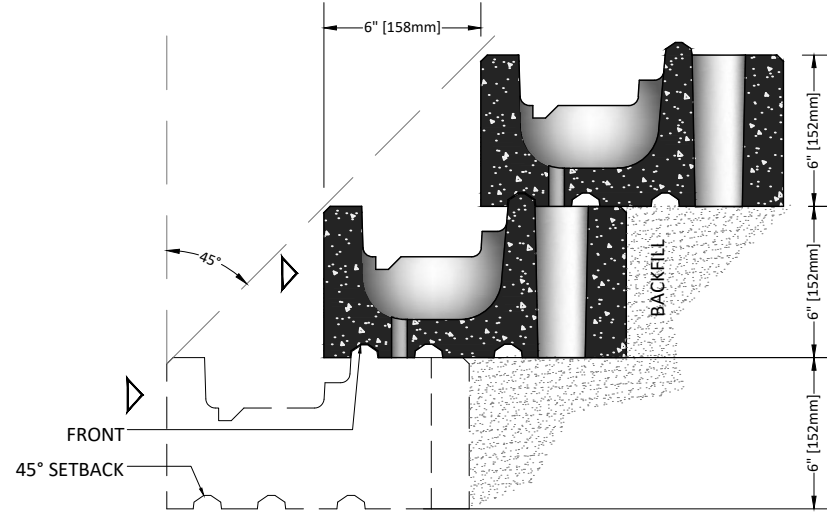
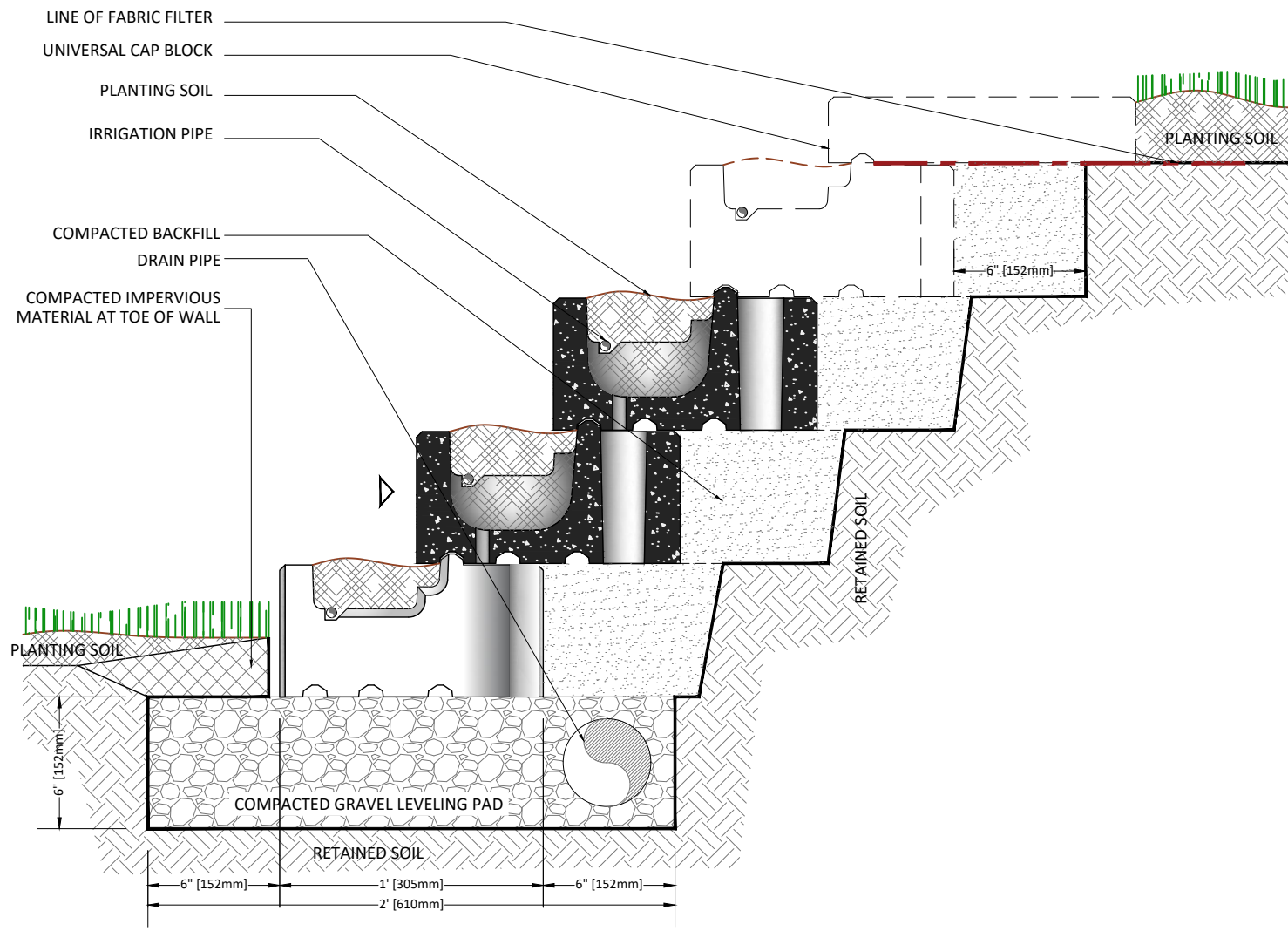
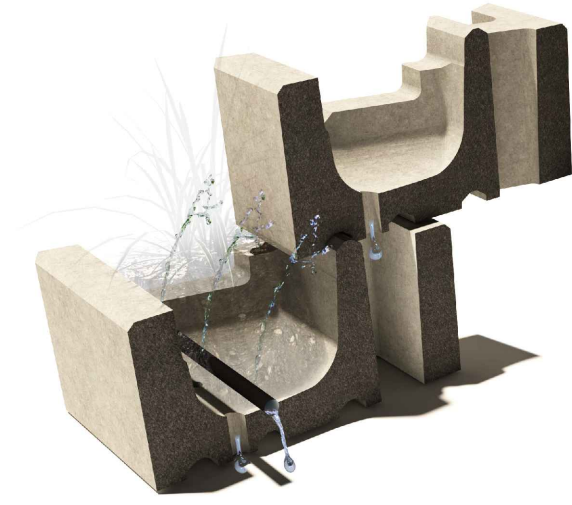


PLANTABLE WALL- TOP VIEW



SIDE ELEVATION



CROSS SECTION



General Notes

No.	Revision/Issue	Date



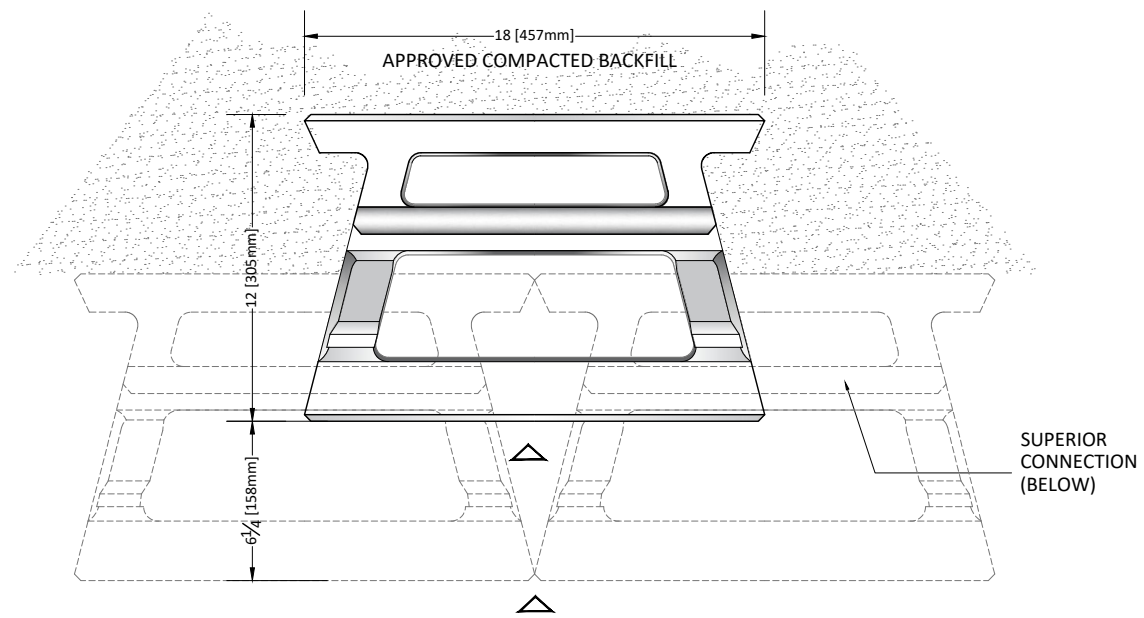
Drawing title  
**INGO PLANTABLE WALL  
- DETAILS**

Project 1601-IG-GEN	Sheet 201
Date	
Scale / Paper size 1:10 / A3	

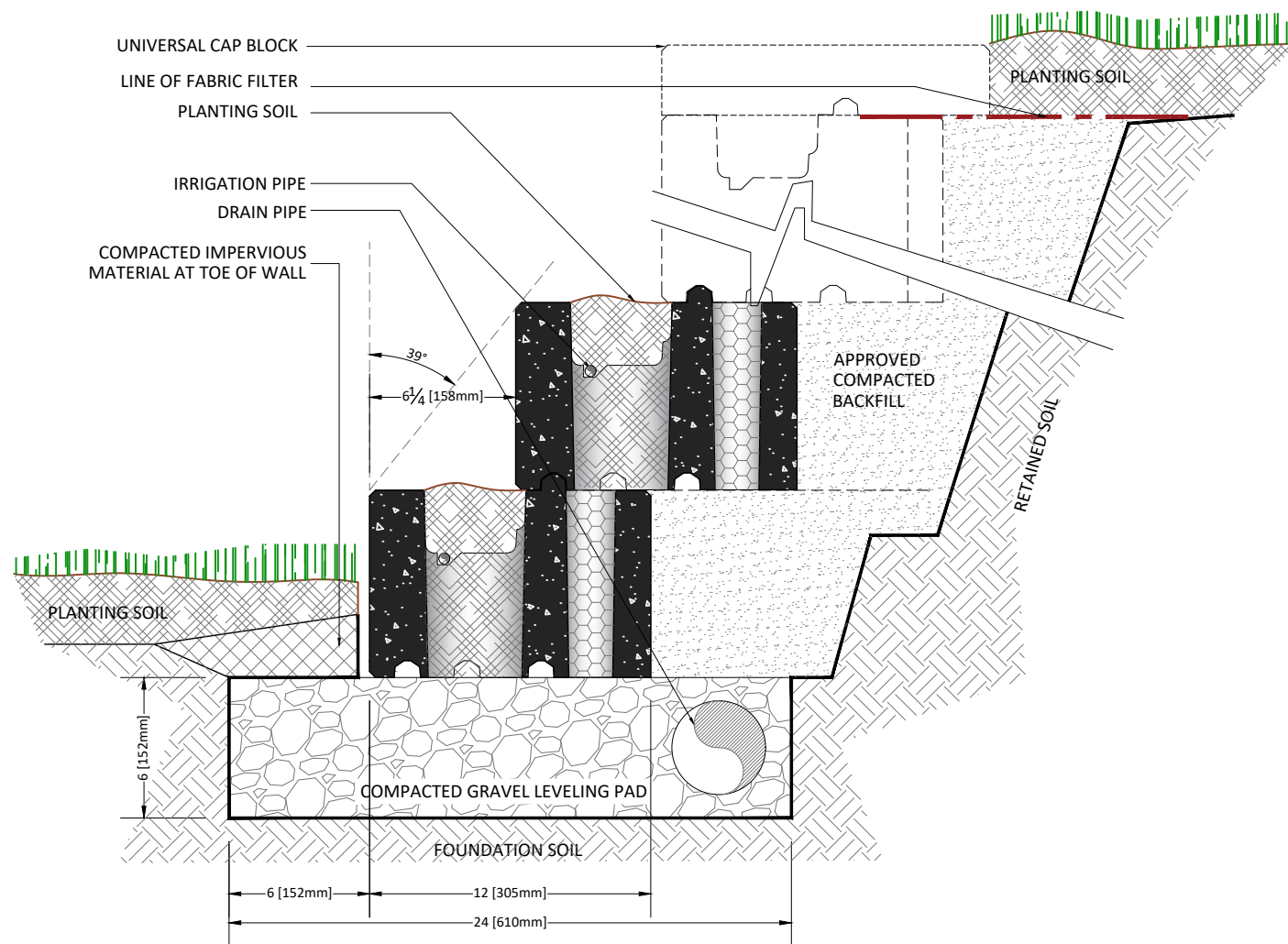
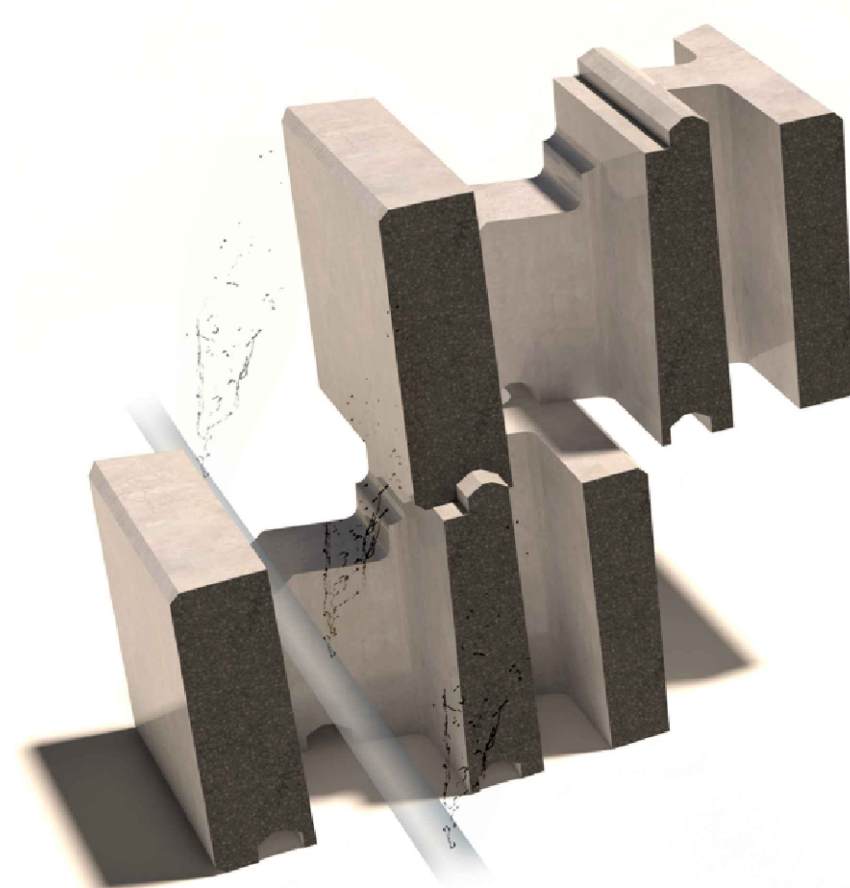
FNAME

REYDATE

USER



01 PLANTABLE WALL - TOP VIEW



02 CROSS SECTION



General Notes

No.	Revision/Issue	Date
-----	----------------	------



Drawing title

**INGO PRO  
PLANTABLE WALL  
DETAILS**

Project  
**1501-IGP-GEN**

Date

Scale / Paper size  
1:10 / A3

Sheet

**201**