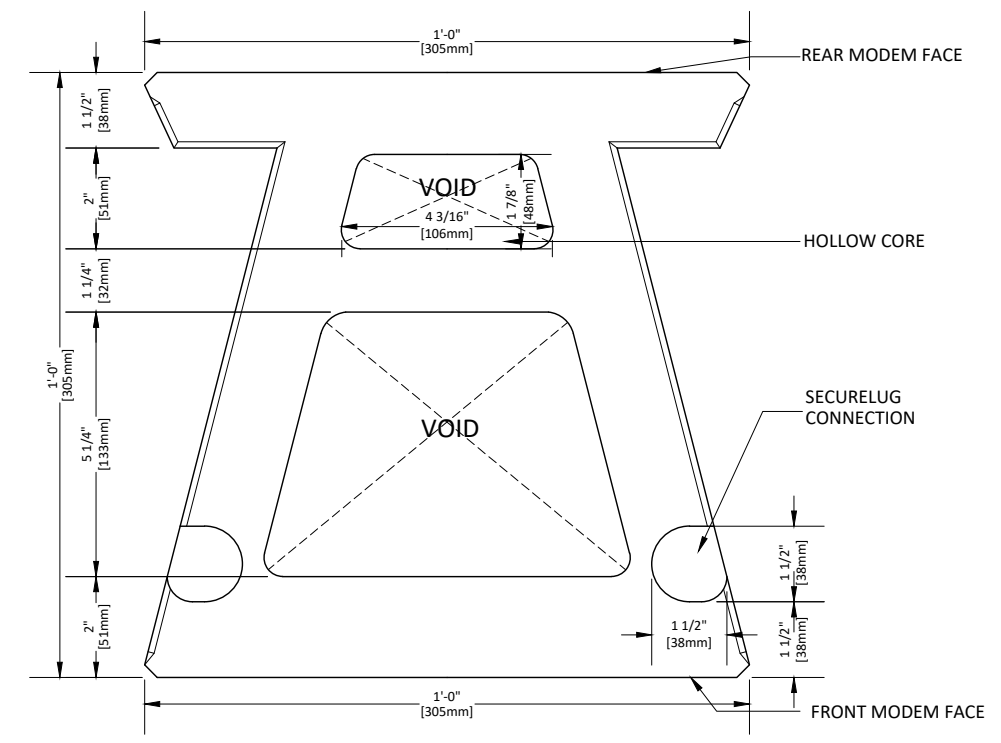
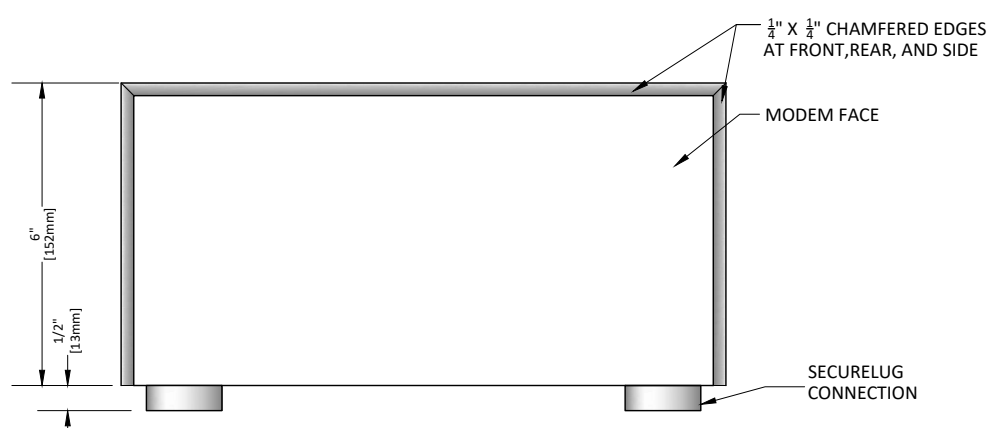


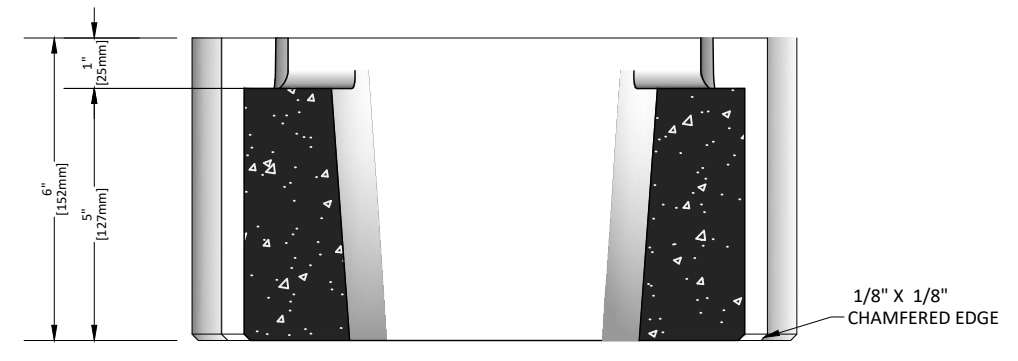
TOP VIEW



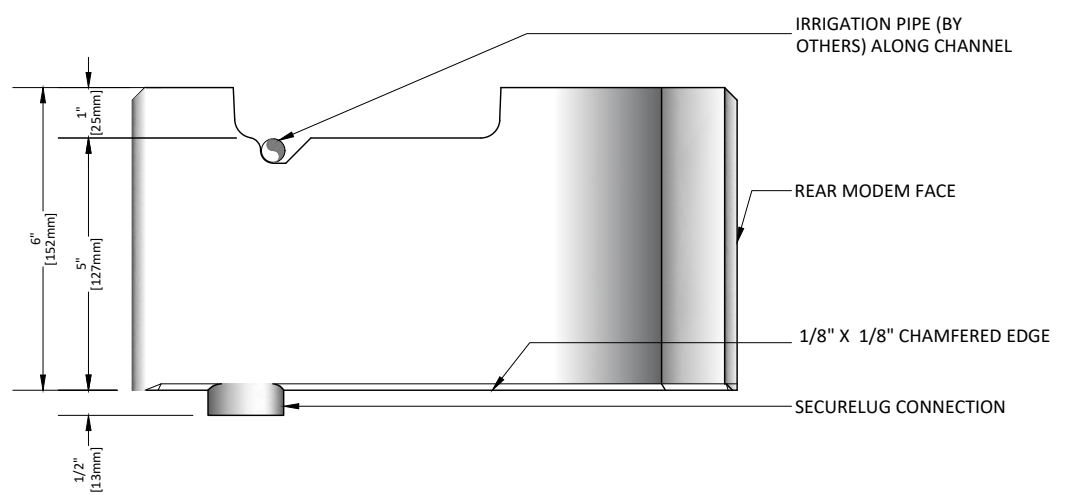
BOTTOM VIEW



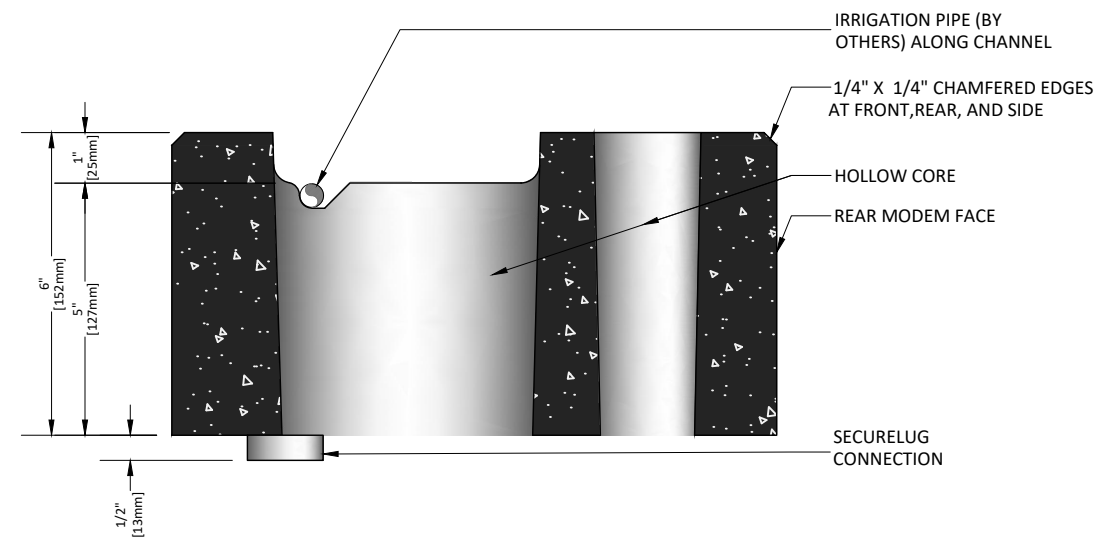
FRONT VIEW  
(ELEVATION - A)



CROSS SECTION  
(CUT THROUGH SECTION - C)



SIDE VIEW  
(ELEVATION - B)



CROSS SECTION  
(CUT THROUGH SECTION - D)

General Notes

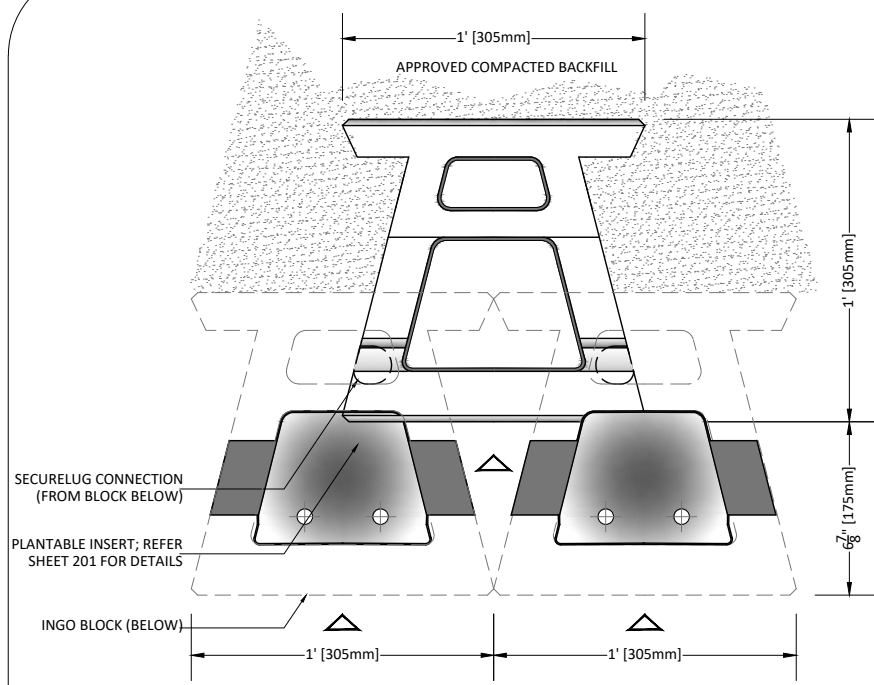
| Rev | Issue Description     | Date      |
|-----|-----------------------|-----------|
| 02  | Design Development 02 | 22Apr2025 |
| 01  | Design Development    | 03Mar2025 |



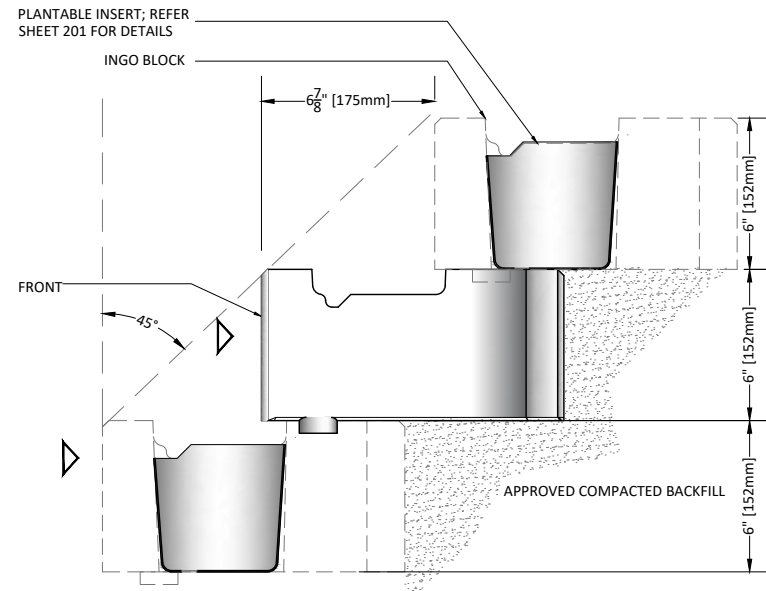
Drawing Title  
**INGO STANDARD BLOCK - DETAILS**

|                                 |                     |
|---------------------------------|---------------------|
| Project<br>1601-IG-GEN          | Sheet<br><b>101</b> |
| Date                            |                     |
| Scale / Paper size<br>1:10 / A3 |                     |

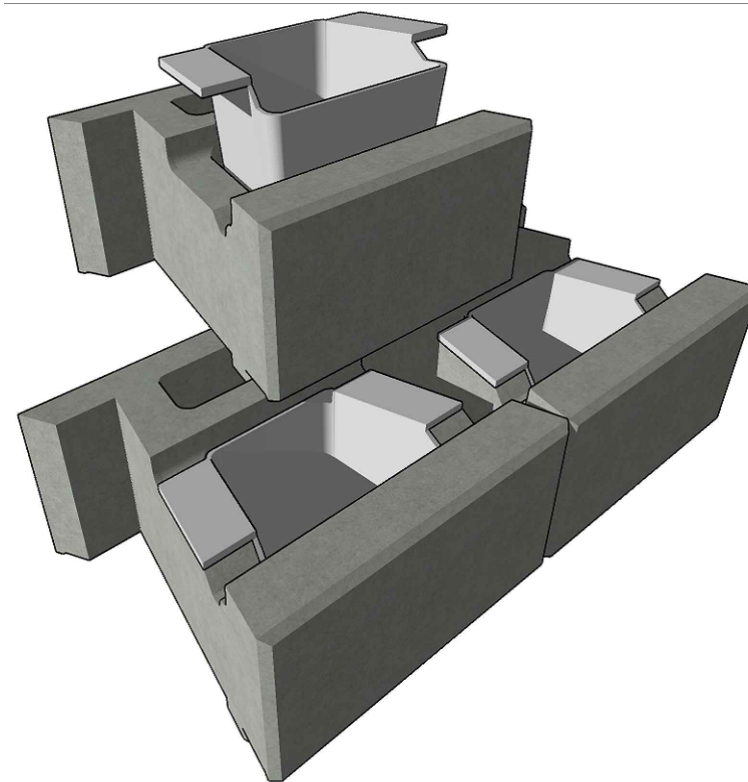
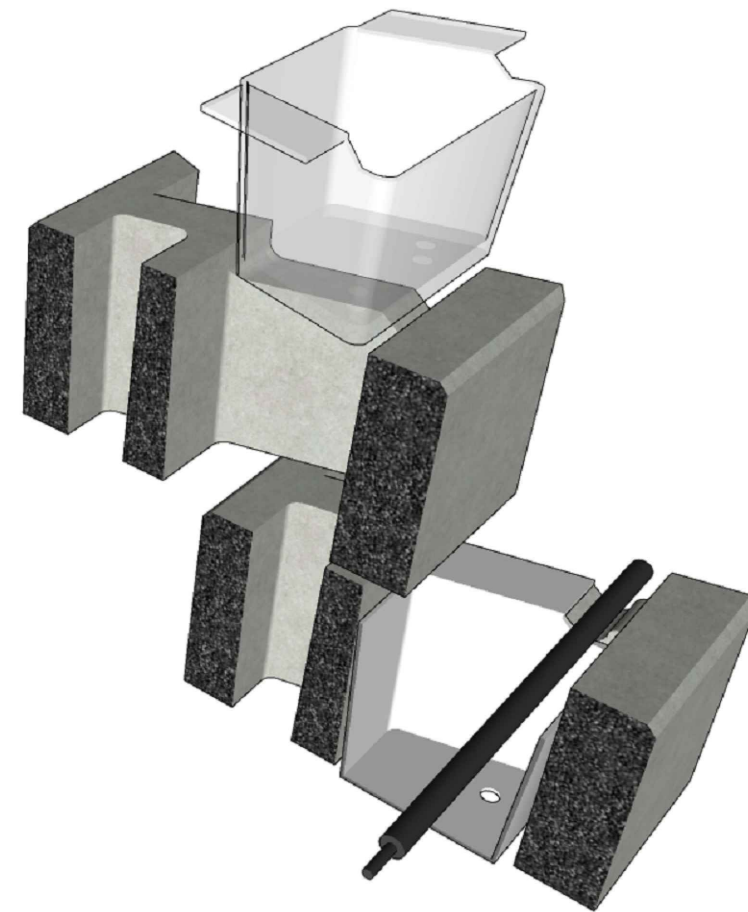
USER REVDATE FNAME



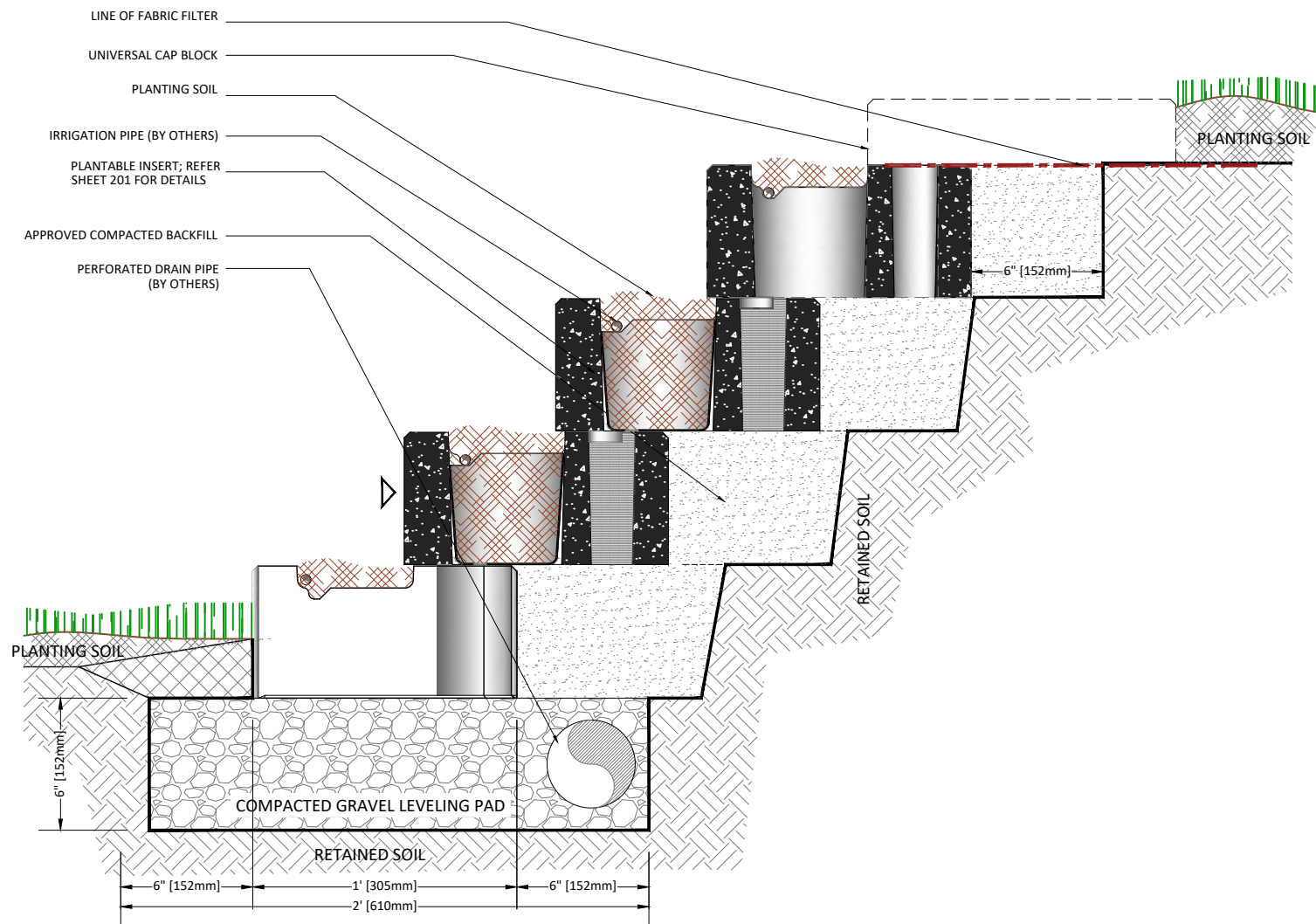
PLANTABLE WALL- TOP VIEW



SIDE ELEVATION



ISOMETRIC VIEW



CROSS SECTION

General Notes

|     |                       |           |
|-----|-----------------------|-----------|
| 02  | Design Development 02 | 22Apr2025 |
| 01  | Design Development    | 03Mar2025 |
| Rev | Issue Description     | Date      |



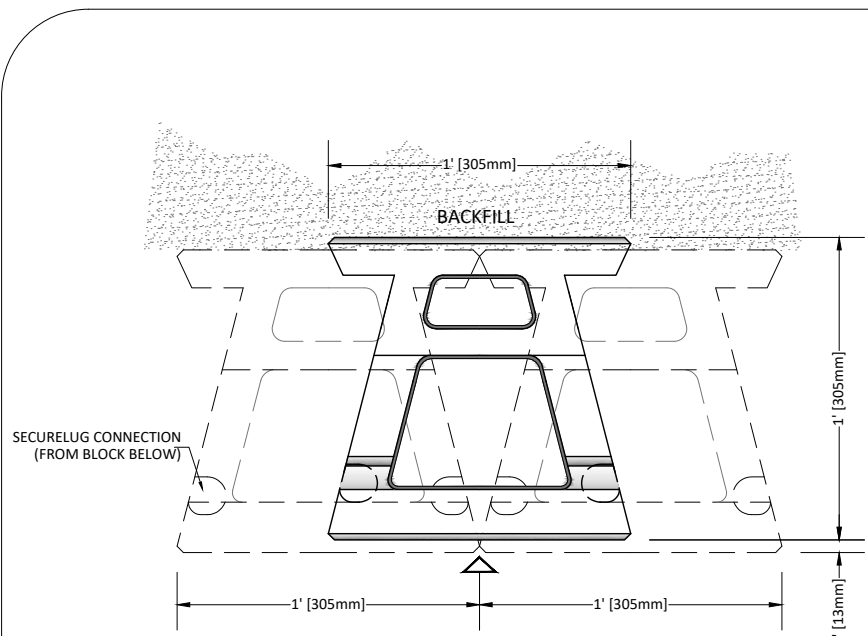
Drawing Title  
**INGO PLANTABLE WALL - DETAILS**

|                                 |               |
|---------------------------------|---------------|
| Project<br>1601-IG-GEN          | Sheet<br>201a |
| Date                            |               |
| Scale / Paper size<br>1:10 / A3 |               |

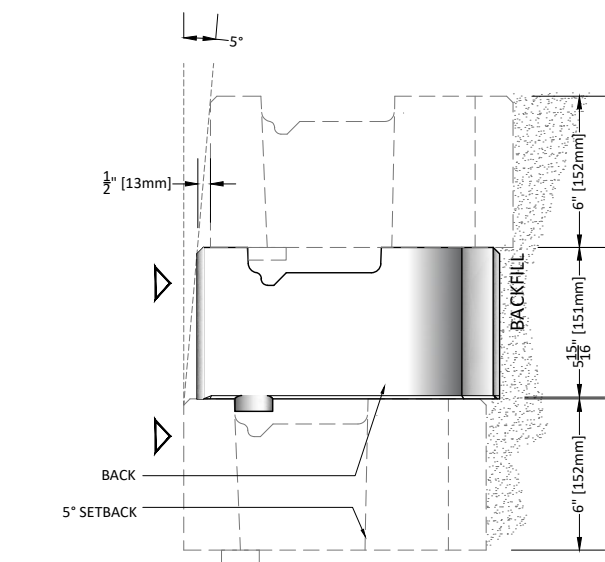
FNAME

REVDATE

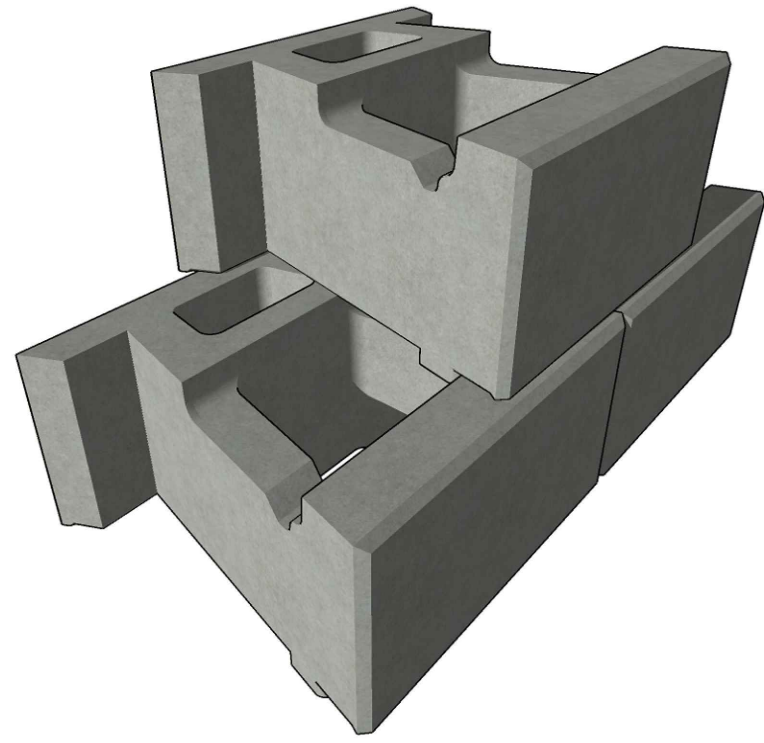
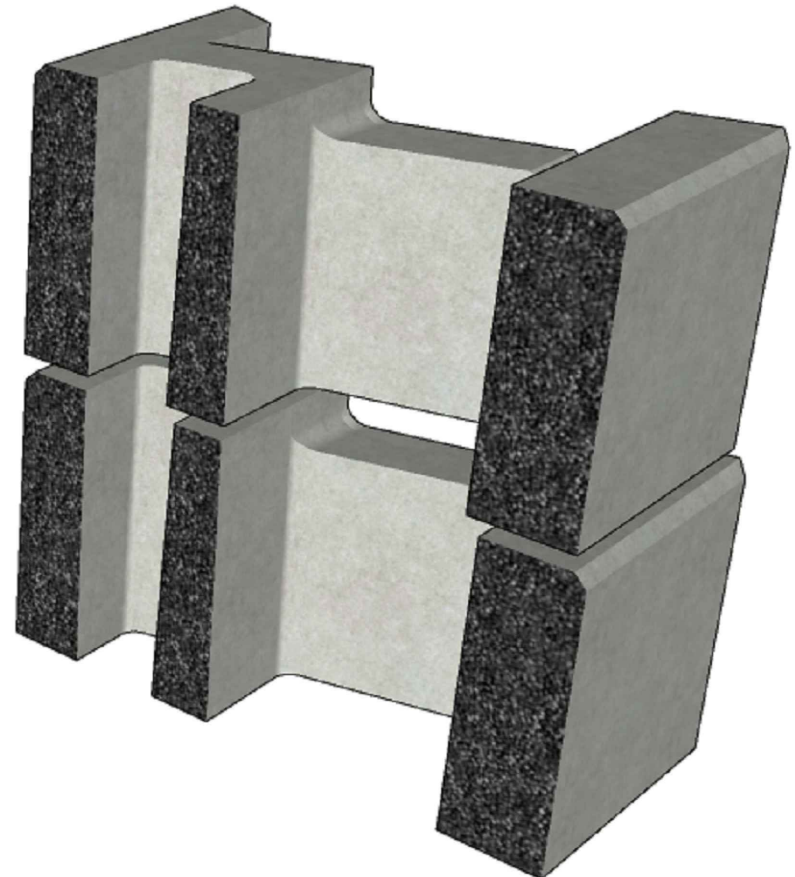
USER



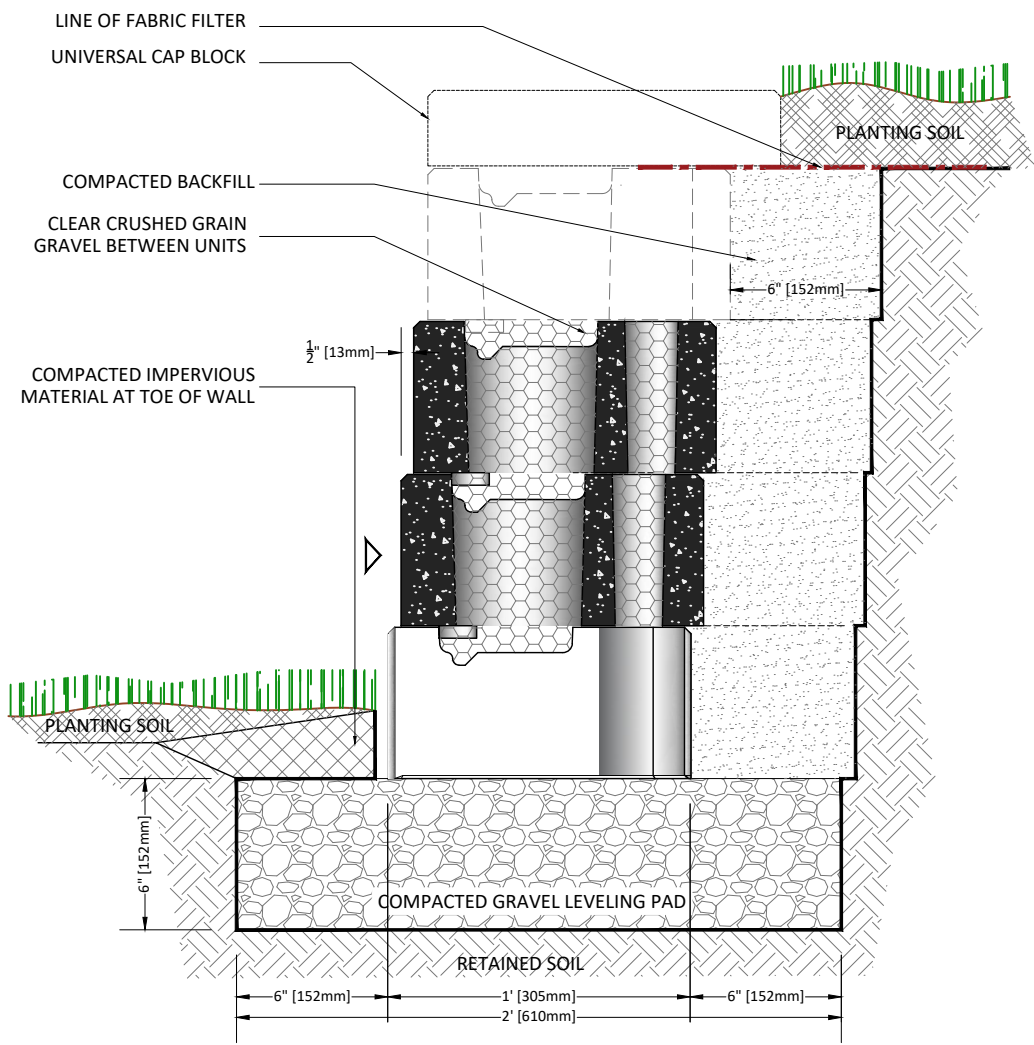
RETAINING WALL - TOP VIEW



SIDE ELEVATION



ISOMETRIC VIEW



CROSS SECTION

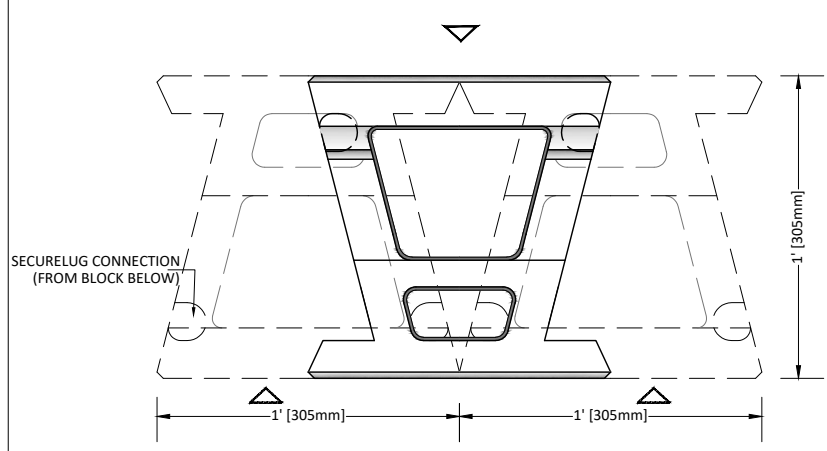
| General Notes |                       |           |
|---------------|-----------------------|-----------|
| 02            | Design Development 02 | 22Apr2025 |
| 01            | Design Development    | 03Mar2025 |
| Rev           | Issue Description     | Date      |



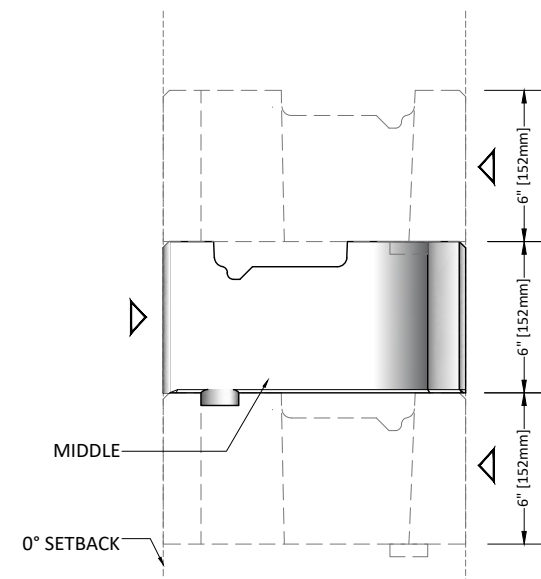
Drawing title  
**INGO RETAINING WALL - DETAILS**

|                                 |                     |
|---------------------------------|---------------------|
| Project<br>1601-IG-GEN          | Sheet<br><b>202</b> |
| Date                            |                     |
| Scale / Paper size<br>1:10 / A3 |                     |

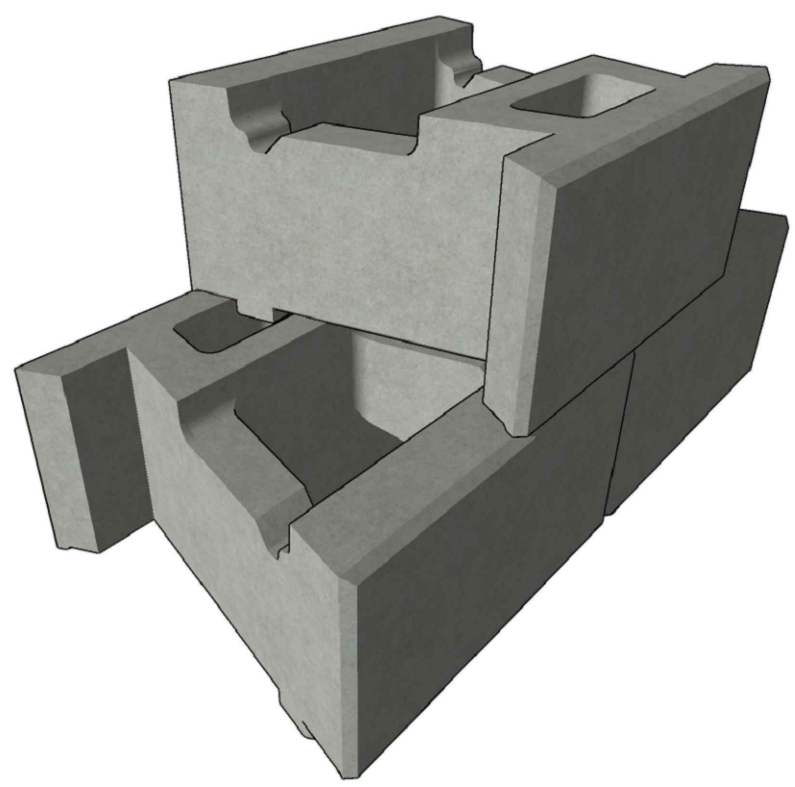
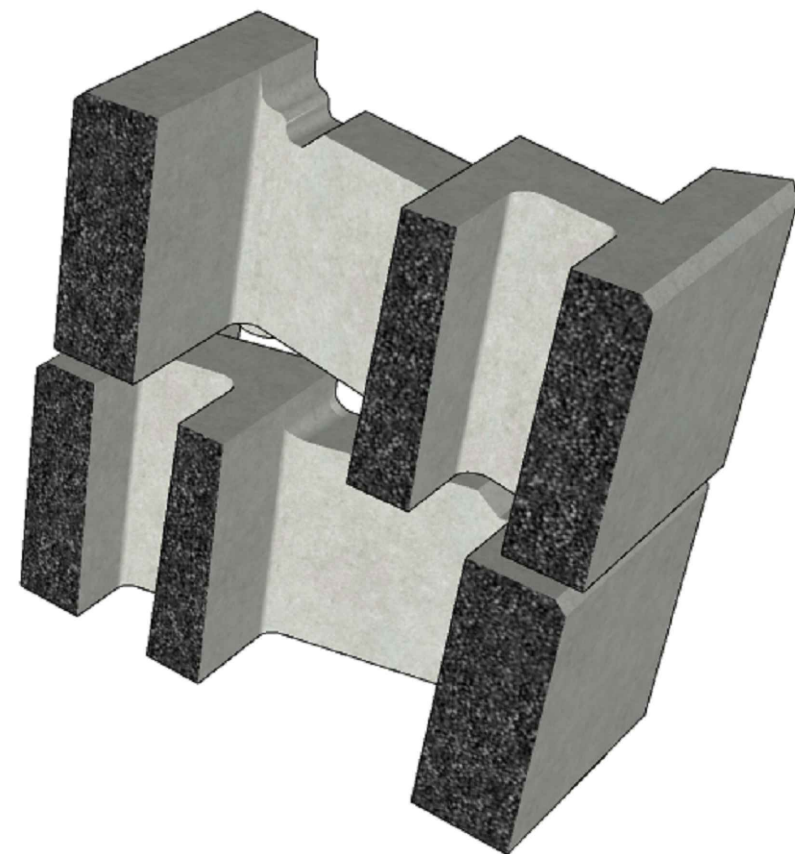
FNAME  
REVDATE  
USER



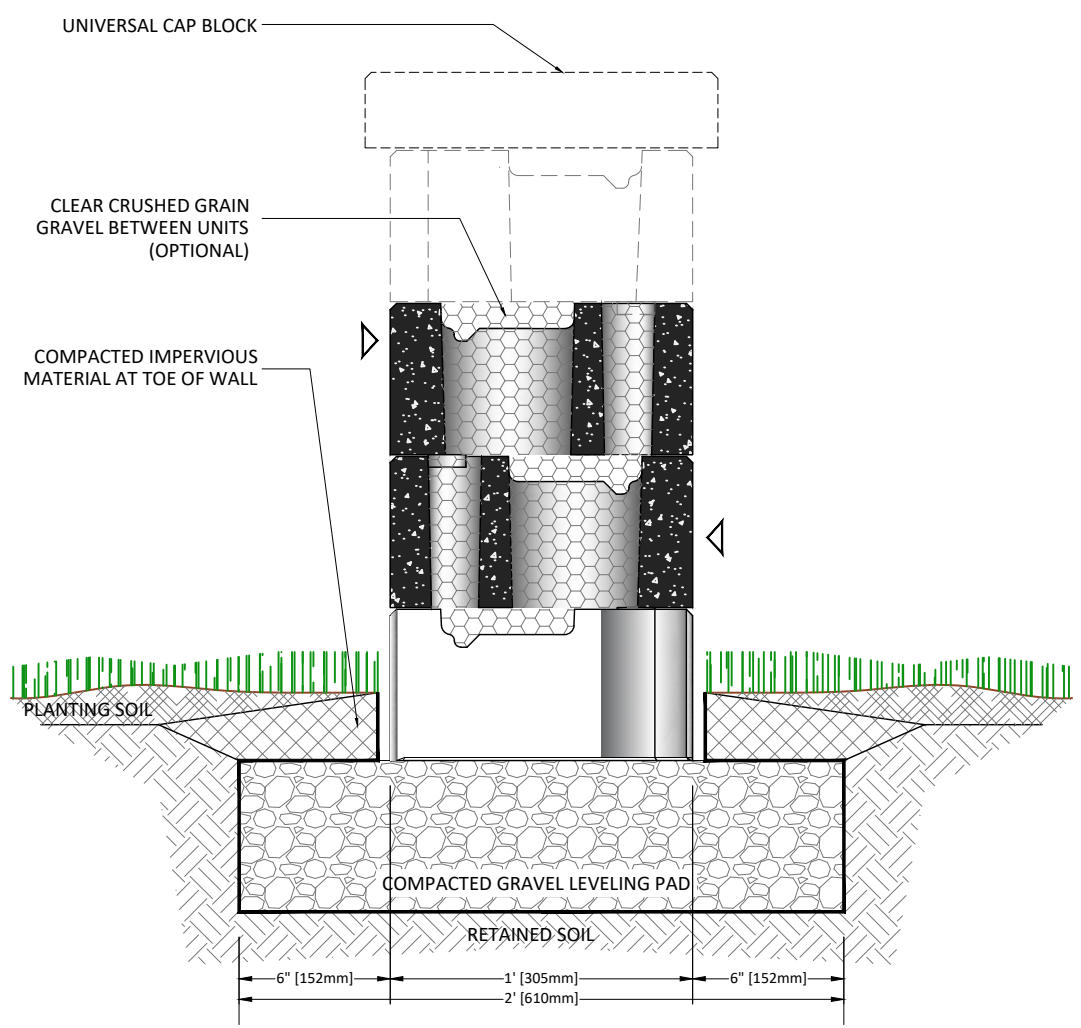
**FREESTANDING WALL - TOP VIEW**



**SIDE ELEVATION**



**ISOMETRIC VIEW**



**CROSS SECTION**

General Notes

|     |                       |           |
|-----|-----------------------|-----------|
| 02  | Design Development 02 | 22Apr2025 |
| 01  | Design Development    | 03Mar2025 |
| Rev | Issue Description     | Date      |



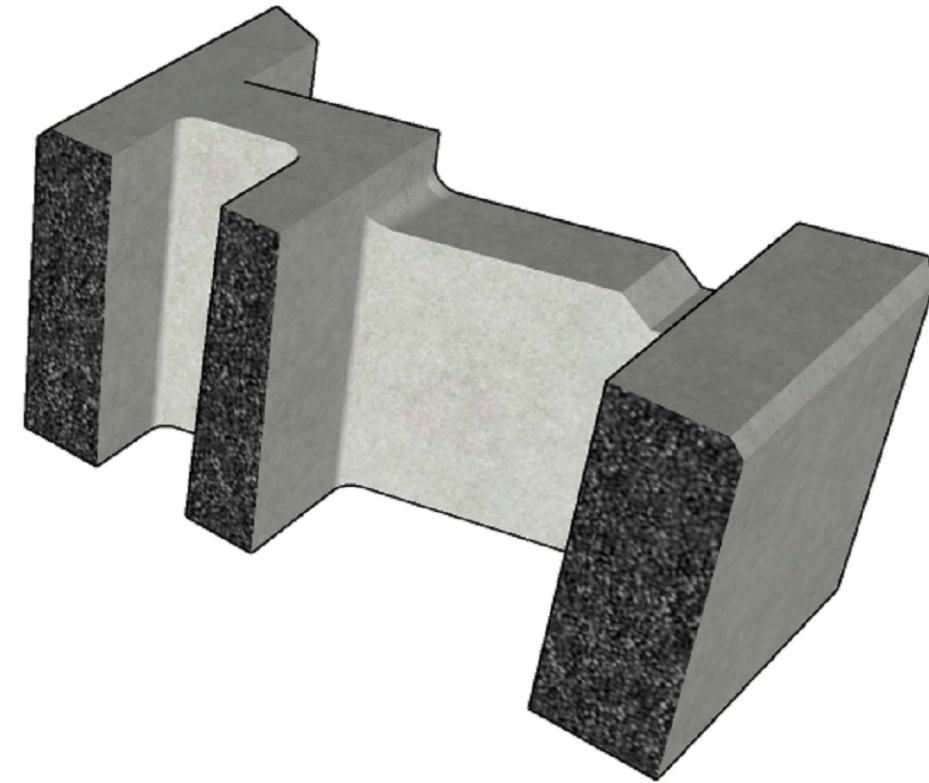
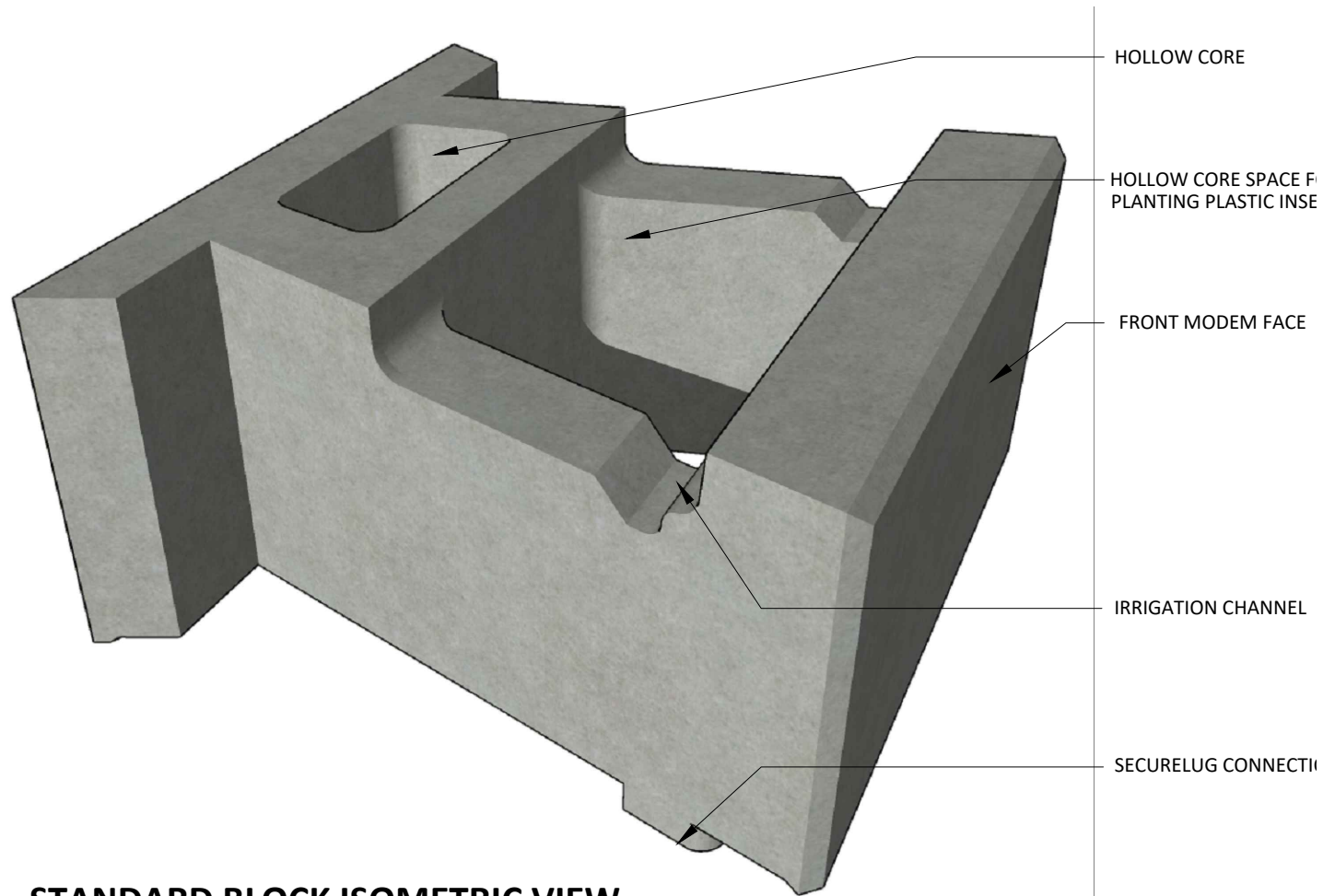
Drawing Title  
**INGO FREESTANDING WALL - DETAILS**

|                    |             |       |     |
|--------------------|-------------|-------|-----|
| Project            | 1601-IG-GEN | Sheet | 203 |
| Date               |             |       |     |
| Scale / Paper size | 1:10 / A3   |       |     |

FNAME

REVDATE

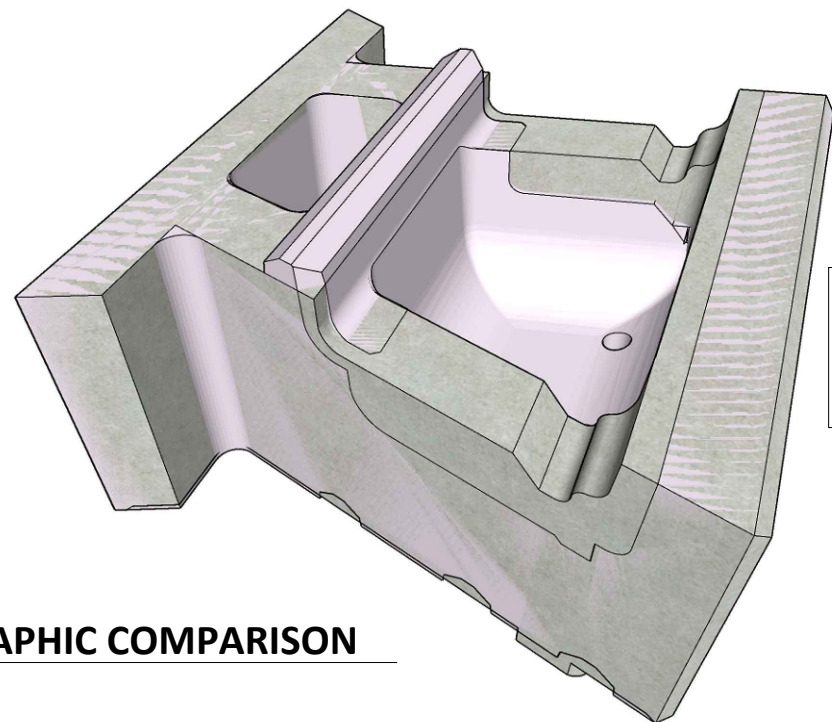
USER



STANDARD BLOCK ISOMETRIC VIEW

CROSS SECTION ISOMETRIC VIEW

- APPROXIMATELY 39 Lbs.
- 6" HIGH X 12" WIDE X 12" DEEP
- DOUBLE SIDED



- NOTE:
- GREY COLORED BLOCK IS THE UPDATED INGO BLOCK
  - PINK COLORED BLOCK IS THE SUPERSEDED DESIGN

GRAPHIC COMPARISON

| Rev | Issue Description     | Date      |
|-----|-----------------------|-----------|
| 02  | Design Development 02 | 22Apr2025 |
| 01  | Design Development    | 03Mar2025 |



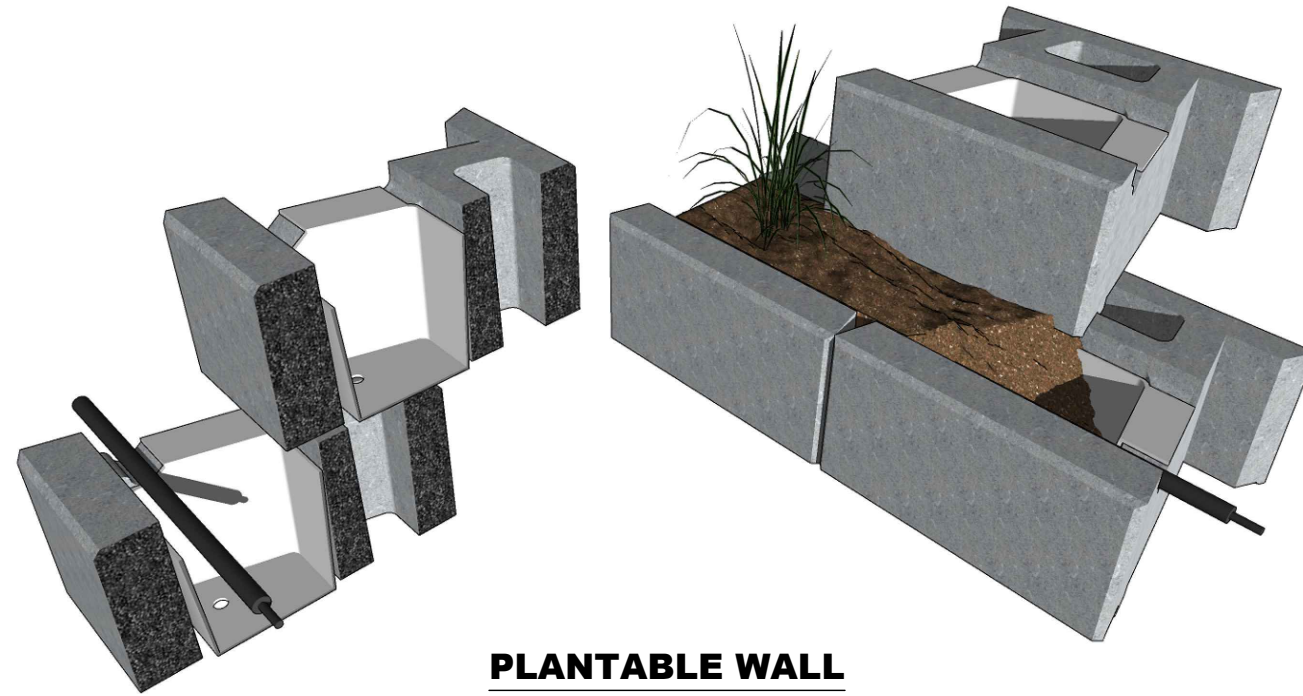
Drawing title  
**INGO STANDARD BLOCK ISOMETRIC VIEW**

|                    |             |       |     |
|--------------------|-------------|-------|-----|
| Project            | 1601-IG-GEN | Sheet | 300 |
| Date               |             |       |     |
| Scale / Paper size | 1:10 / A3   |       |     |

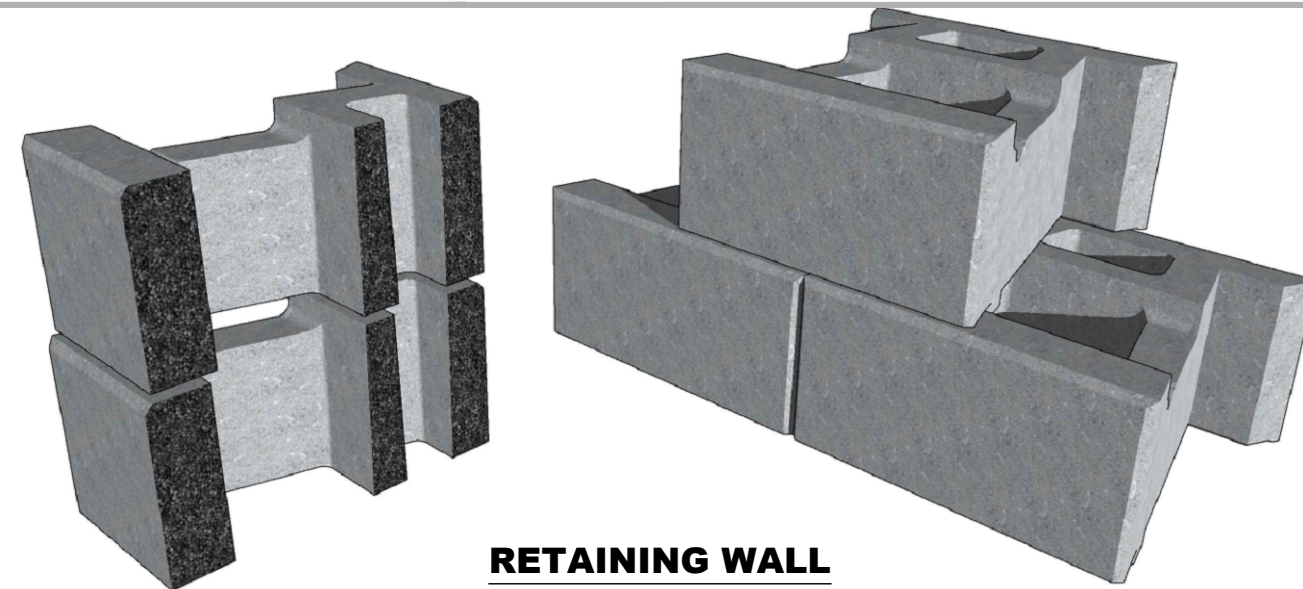
FNAME

REYDATE

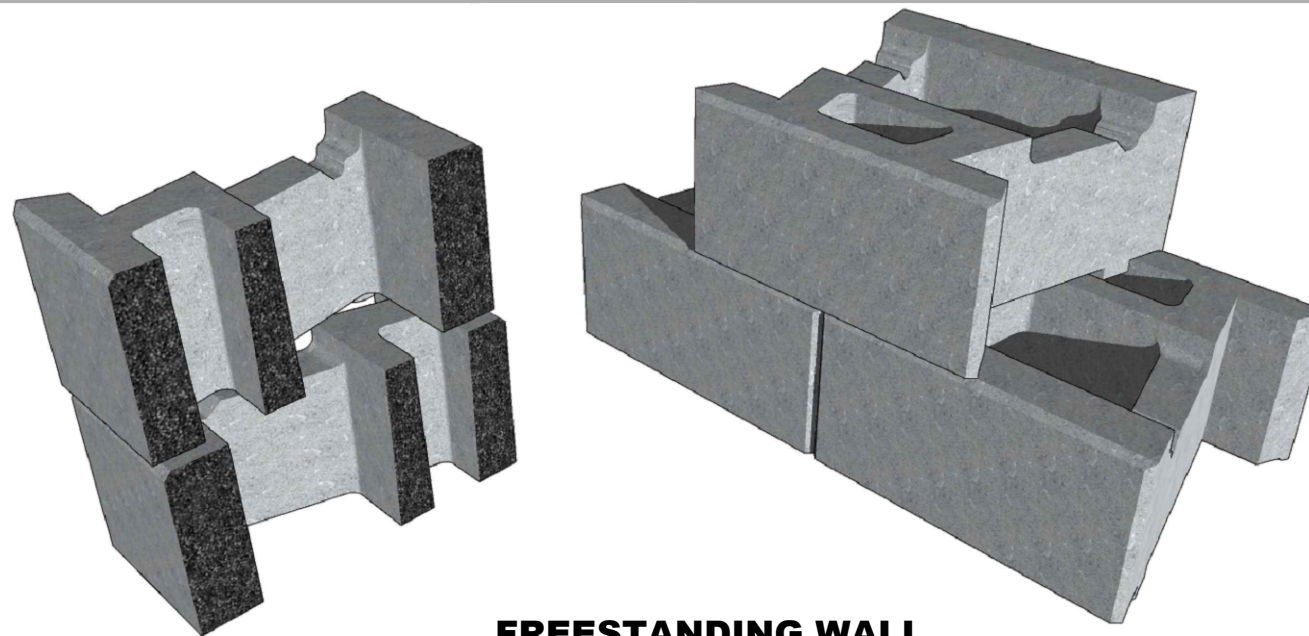
USER



**PLANTABLE WALL**



**RETAINING WALL**



**FREESTANDING WALL**

General Notes

|     |                       |           |
|-----|-----------------------|-----------|
| 02  | Design Development 02 | 22Apr2025 |
| 01  | Design Development    | 03Mar2025 |
| Rev | Issue Description     | Date      |



Drawing title  
**INGO STANDARD BLOCK  
 PERSPECTIVE**

|                    |             |       |     |
|--------------------|-------------|-------|-----|
| Project            | 1601-IG-GEN | Sheet | 301 |
| Date               |             |       |     |
| Scale / Paper size | 1:10 / A3   |       |     |

FNAME

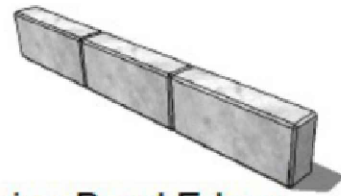
REYDATE

USER

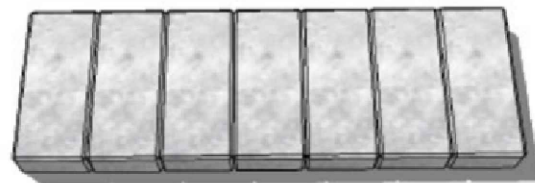
# Cap | Corner | Paver | Edger



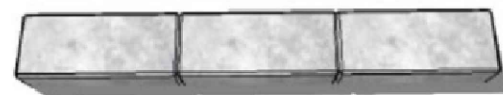
Side Edger



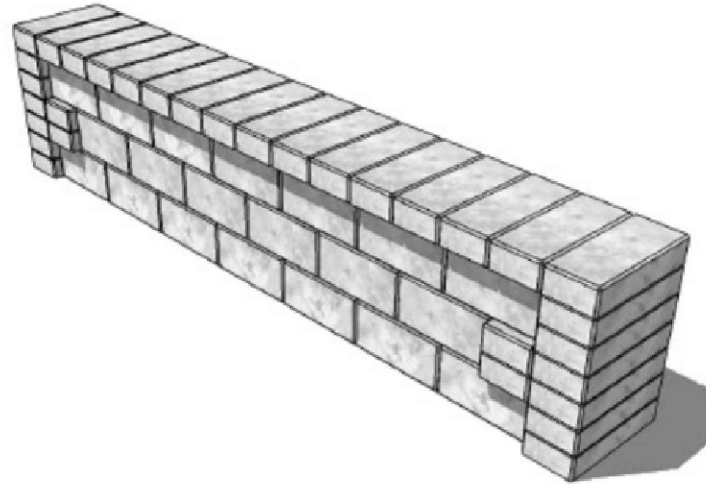
Running Bond Edger



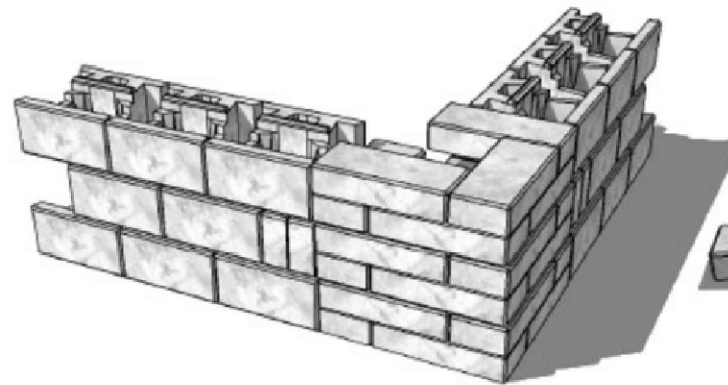
Soldier Border Cap



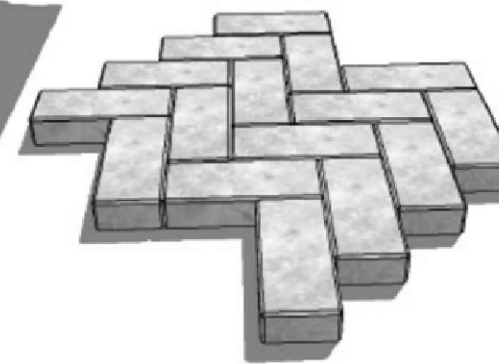
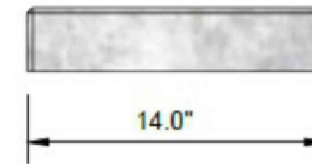
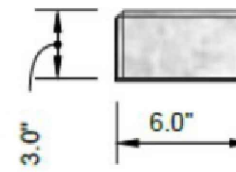
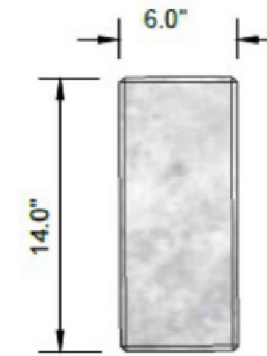
Running Bond Cap



Waterfall Freestanding End



Retaining Wall Corner



Herringbone Paver

General Notes

|     |                       |           |
|-----|-----------------------|-----------|
| 02  | Design Development 02 | 22Apr2025 |
| 01  | Design Development    | 03Mar2025 |
| Rev | Issue Description     | Date      |



Drawing Title  
**INGO UNIVERSAL CAP  
ISOMETRIC VIEW**

|                    |             |       |     |
|--------------------|-------------|-------|-----|
| Project            | 1601-IG-GEN | Sheet | 102 |
| Date               |             |       |     |
| Scale / Paper size | 1:10 / A3   |       |     |

FNAME

REYDATE

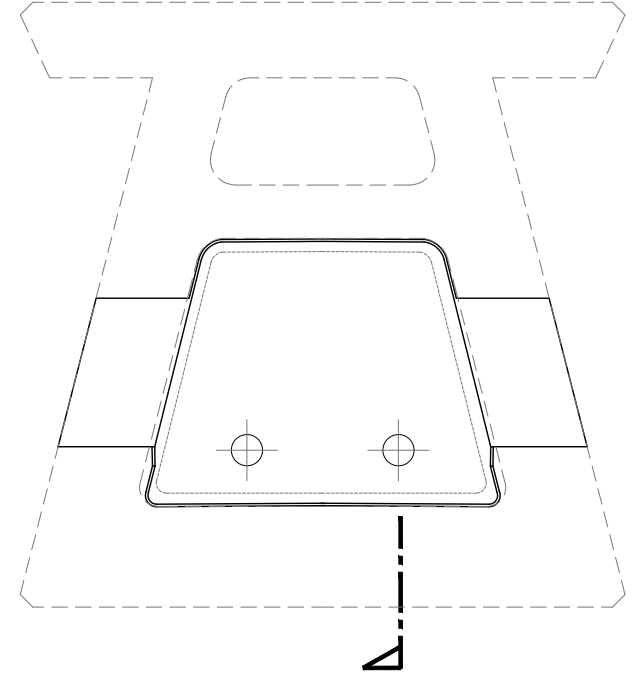
USER

|     |                       |           |
|-----|-----------------------|-----------|
| 02  | Design Development 02 | 22Apr2025 |
| 01  | Design Development    | 03Mar2025 |
| Rev | Issue Description     | Date      |

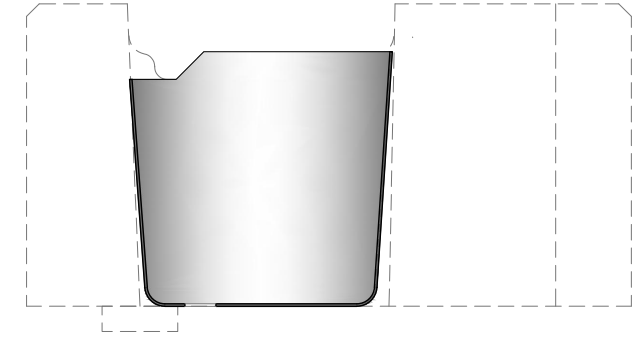


Drawing Title  
**INGO PLANTABLE WALL  
- PLANTABLE INSERT  
DETAILS**

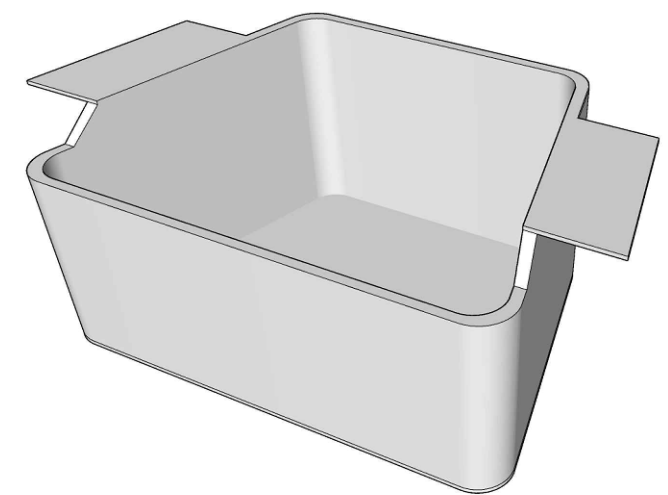
|                    |             |             |
|--------------------|-------------|-------------|
| Project            | 1601-IG-GEN | Sheet       |
| Date               |             | <b>201b</b> |
| Scale / Paper size | 1:10 / A3   |             |



○ **SETTING OUT - PLAN**

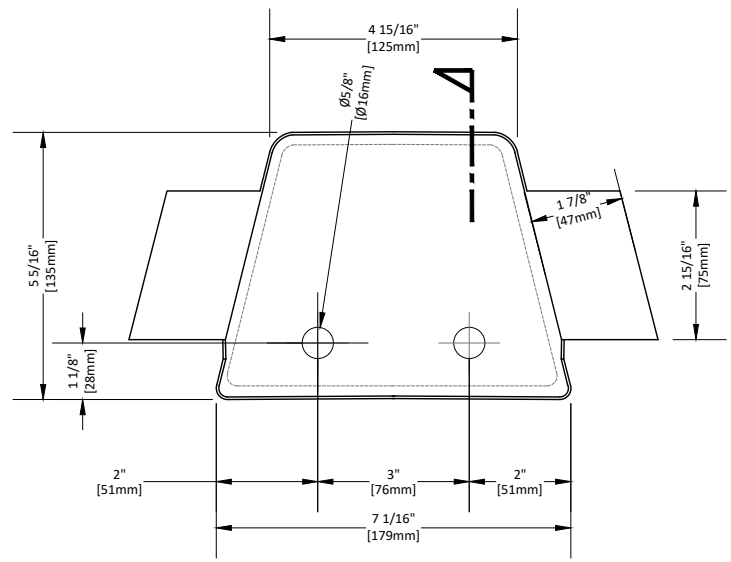


○ **SETTING OUT CROSS SECTION**

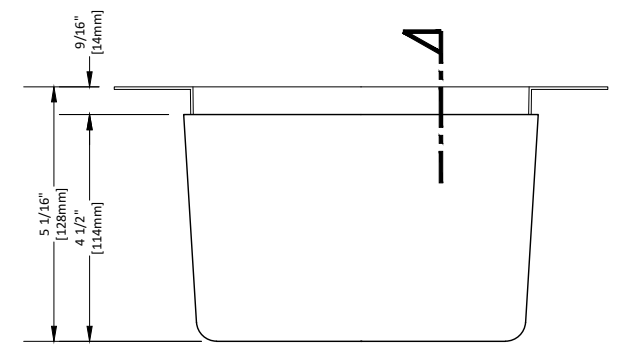


NOTE:  
MATERIAL MADE FROM RECYCLED PLASTIC

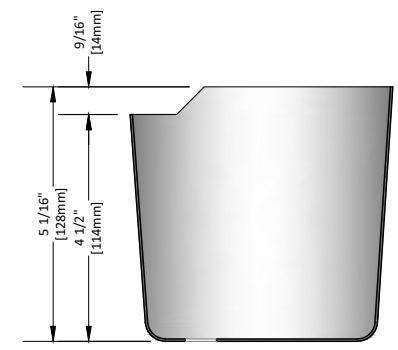
○ **ISOMETRIC VIEW**



○ **PLANTABLE WALL- TOP VIEW**



○ **FRONT SECTION**



○ **CROSS SECTION**