

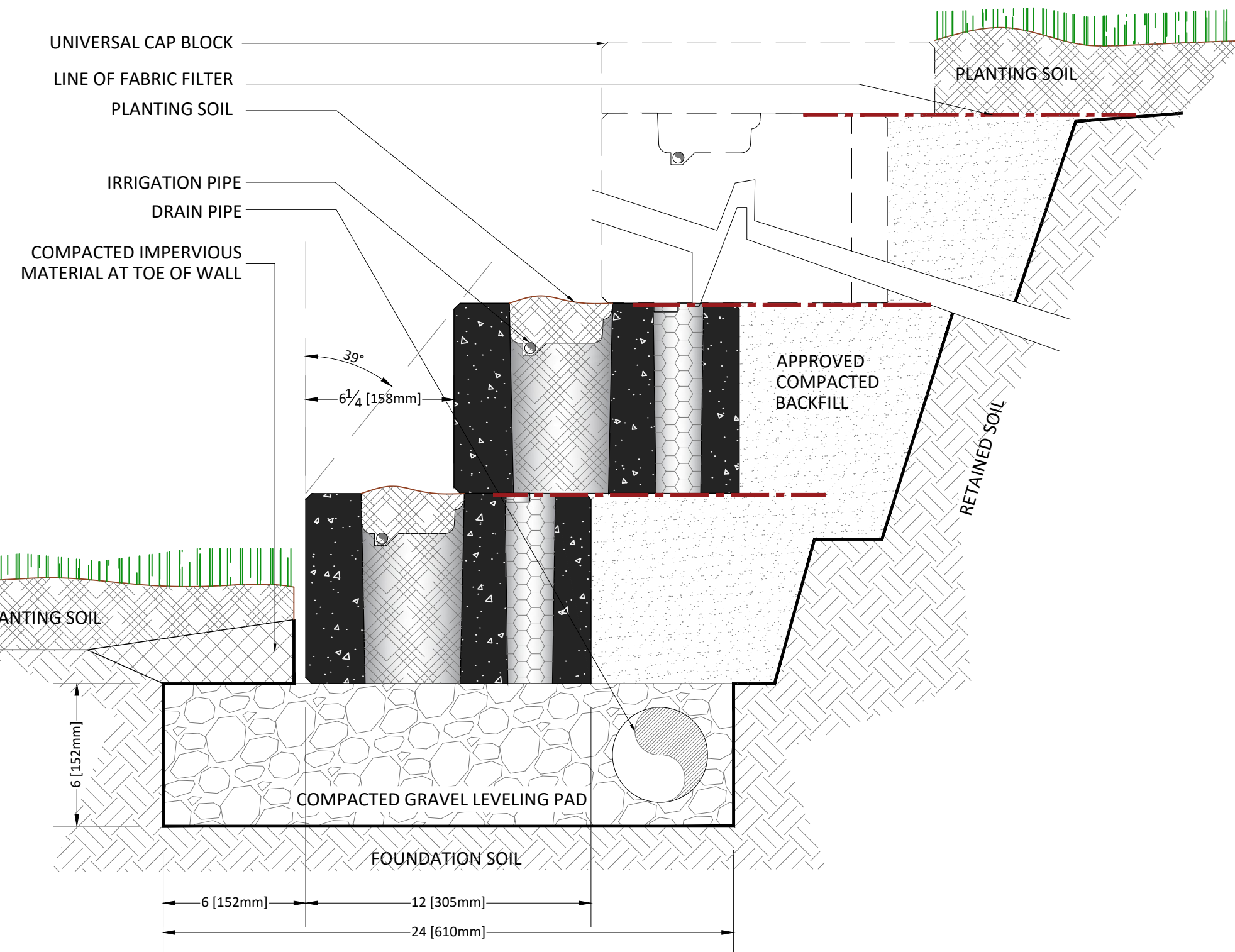
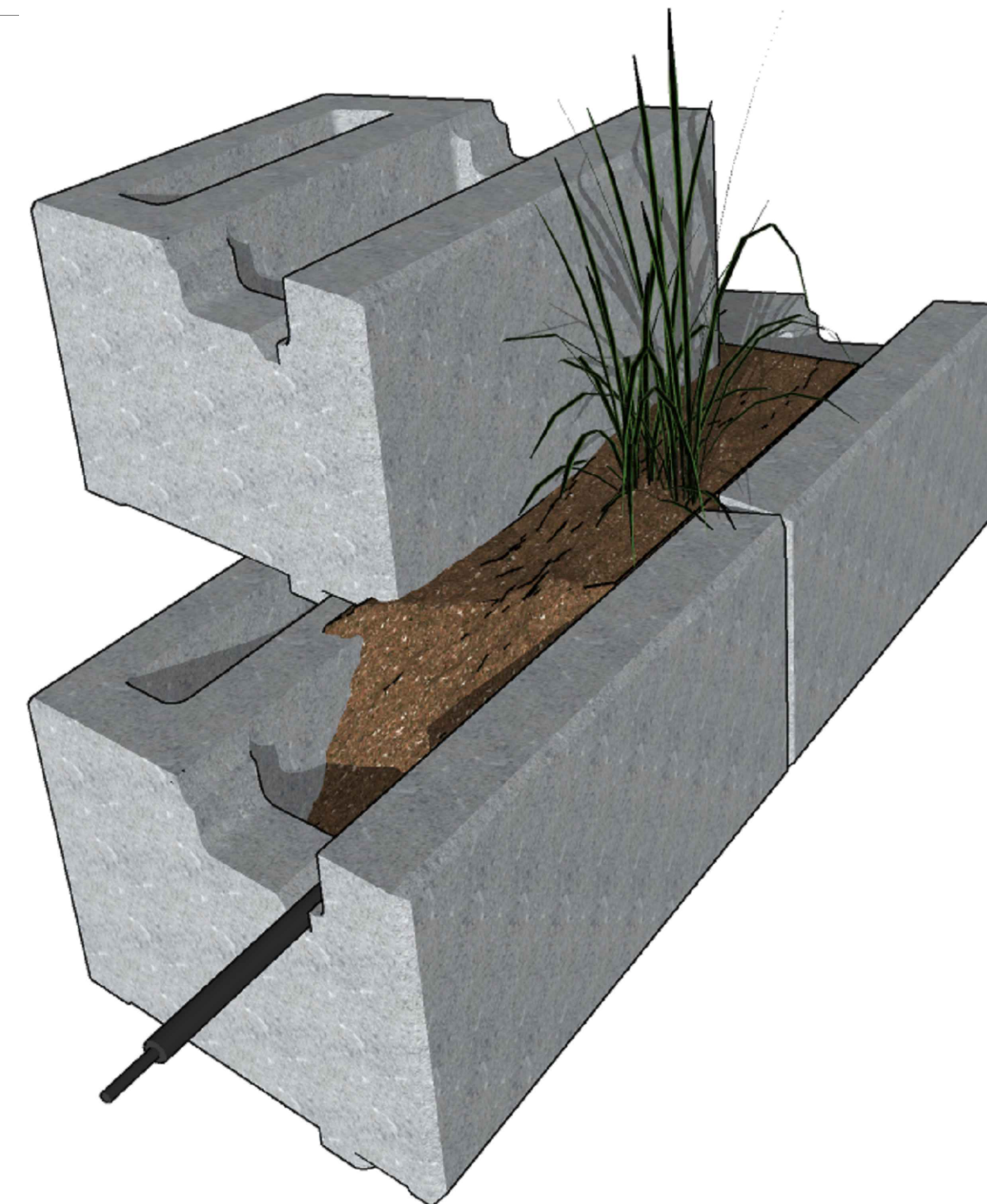
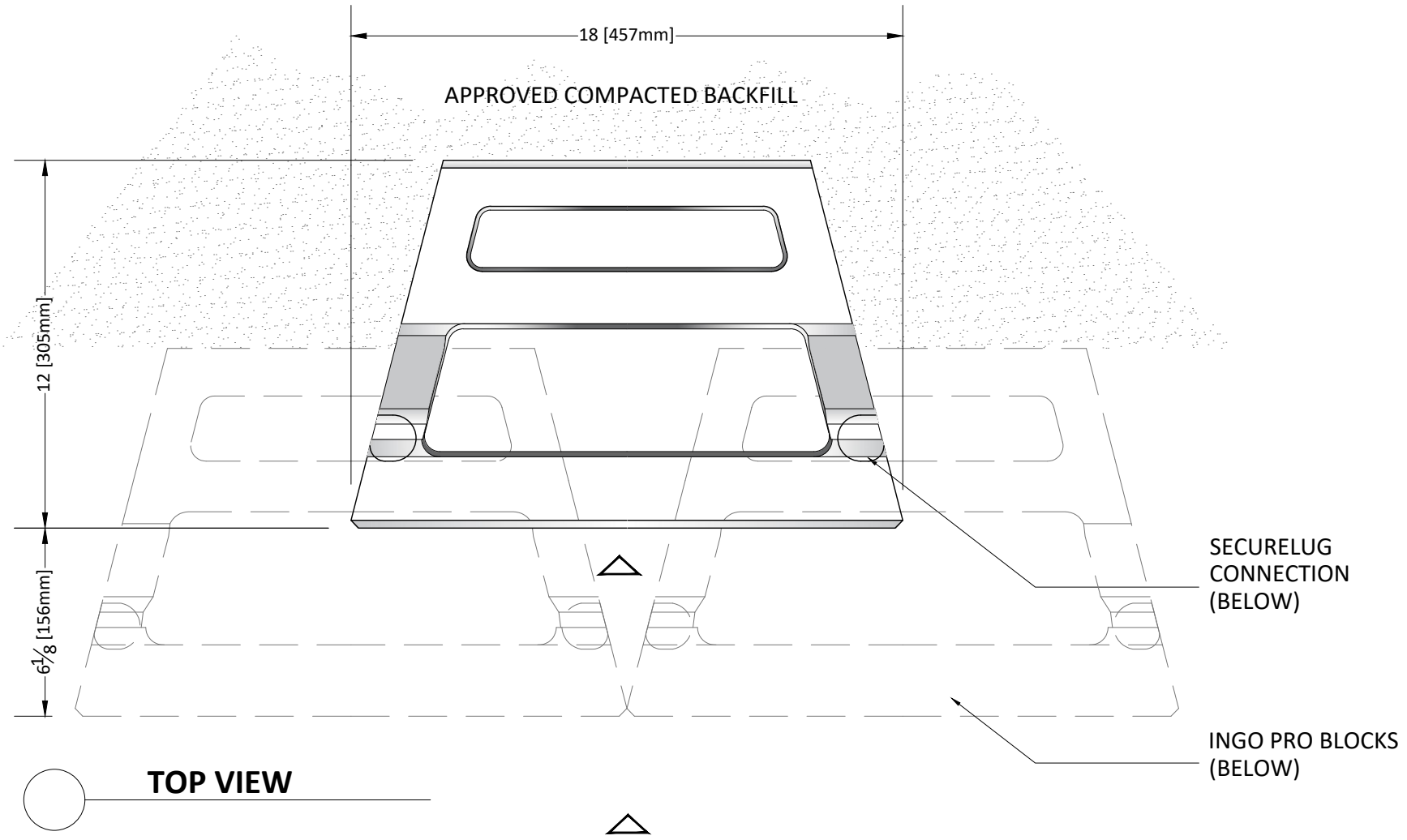
General Notes

01	DESIGN DEVELOPMENT	13MAR2025
00	CONCEPT	14FEB2025
No.	Revision/Issue	Date

Drawing title

INGO - PRO BLOCK - DETAILS

Project	INGO PRO BLOCK DETAILS	Sheet	101
Date			
Scale / Paper size	1:10 / A3		



ISOMETRIC VIEW

General Notes

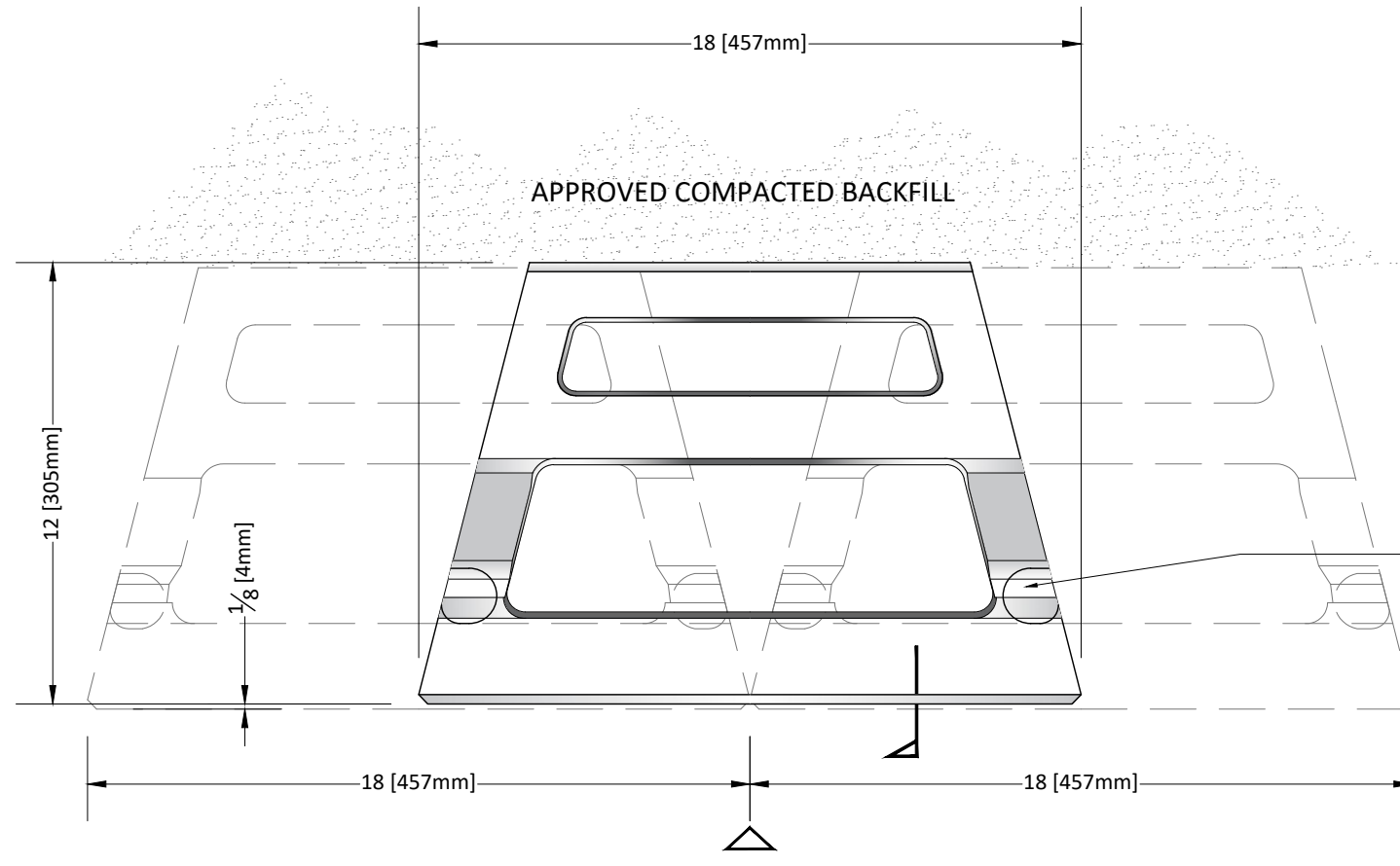
01	DESIGN DEVELOPMENT	13MAR2025
00	CONCEPT	14FEB2025
No.	Revision/Issue	Date



Drawing title

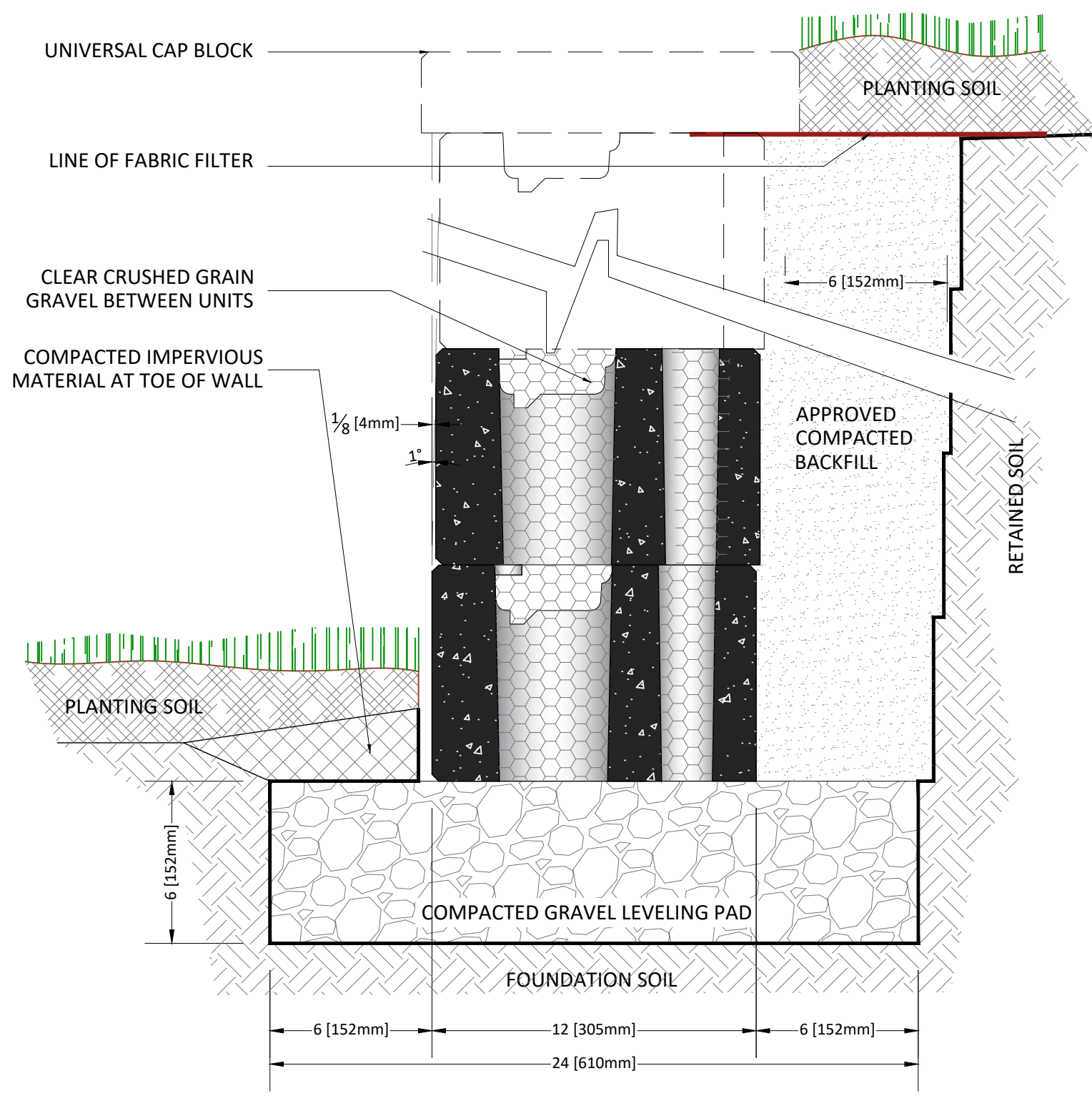
INGO PRO PLANTABLE WALL DETAILS

Project	INGO PRO BLOCK DETAILS	Sheet
Date		
Scale / Paper size	1:10 / A3	201

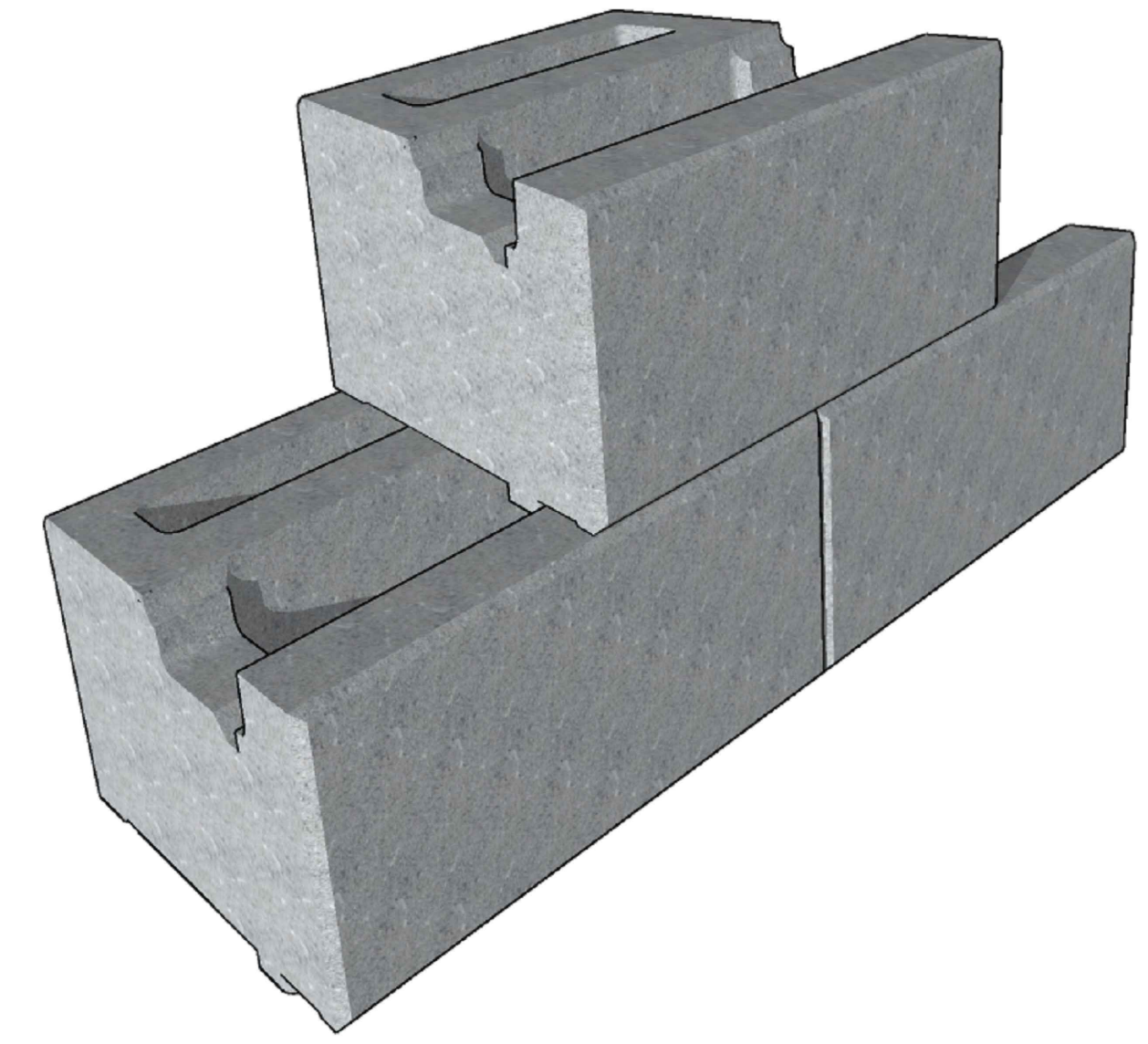
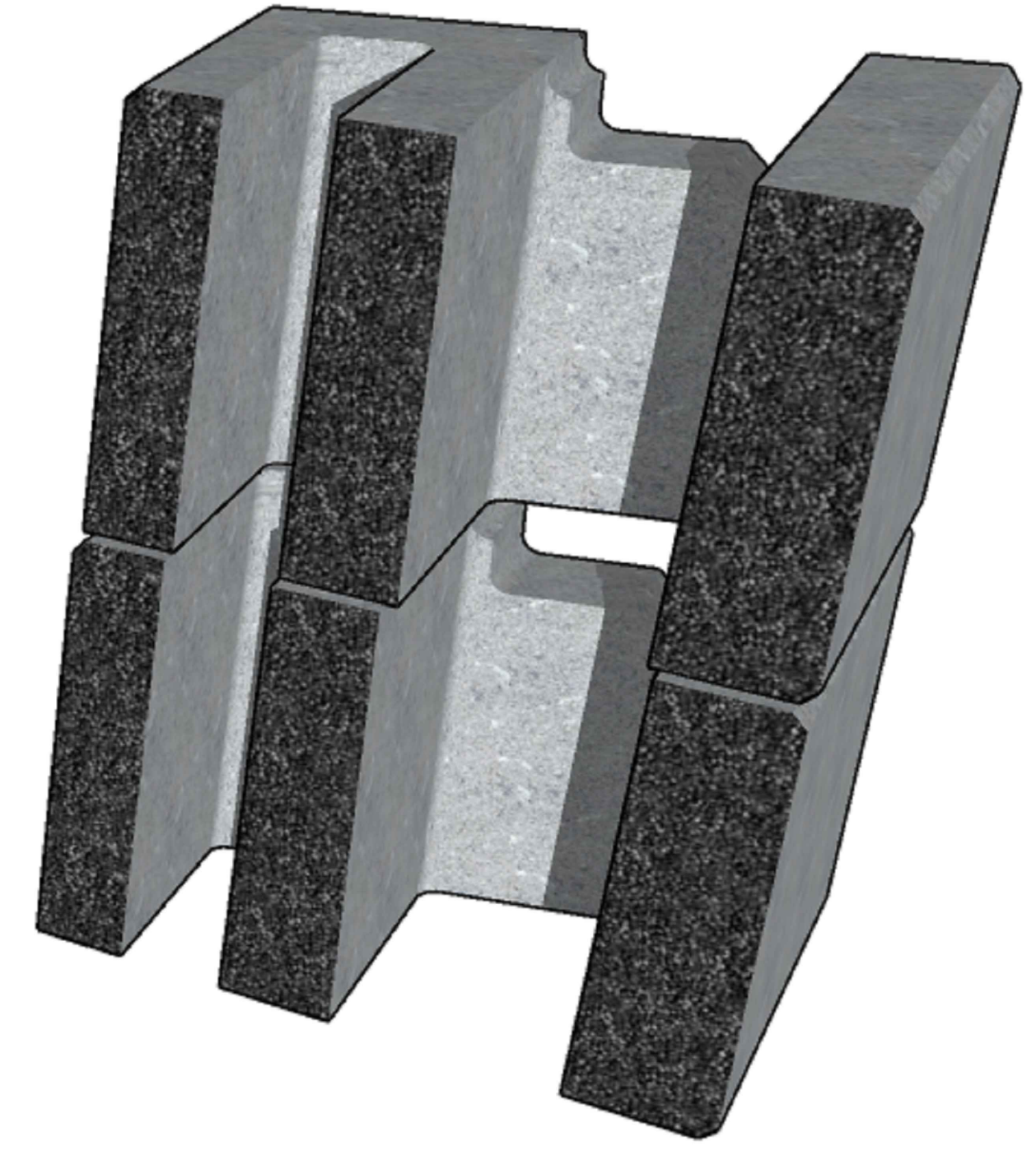


SECURELUG CONNECTION (BELOW)

TOP VIEW



CROSS SECTION



ISOMETRIC VIEW

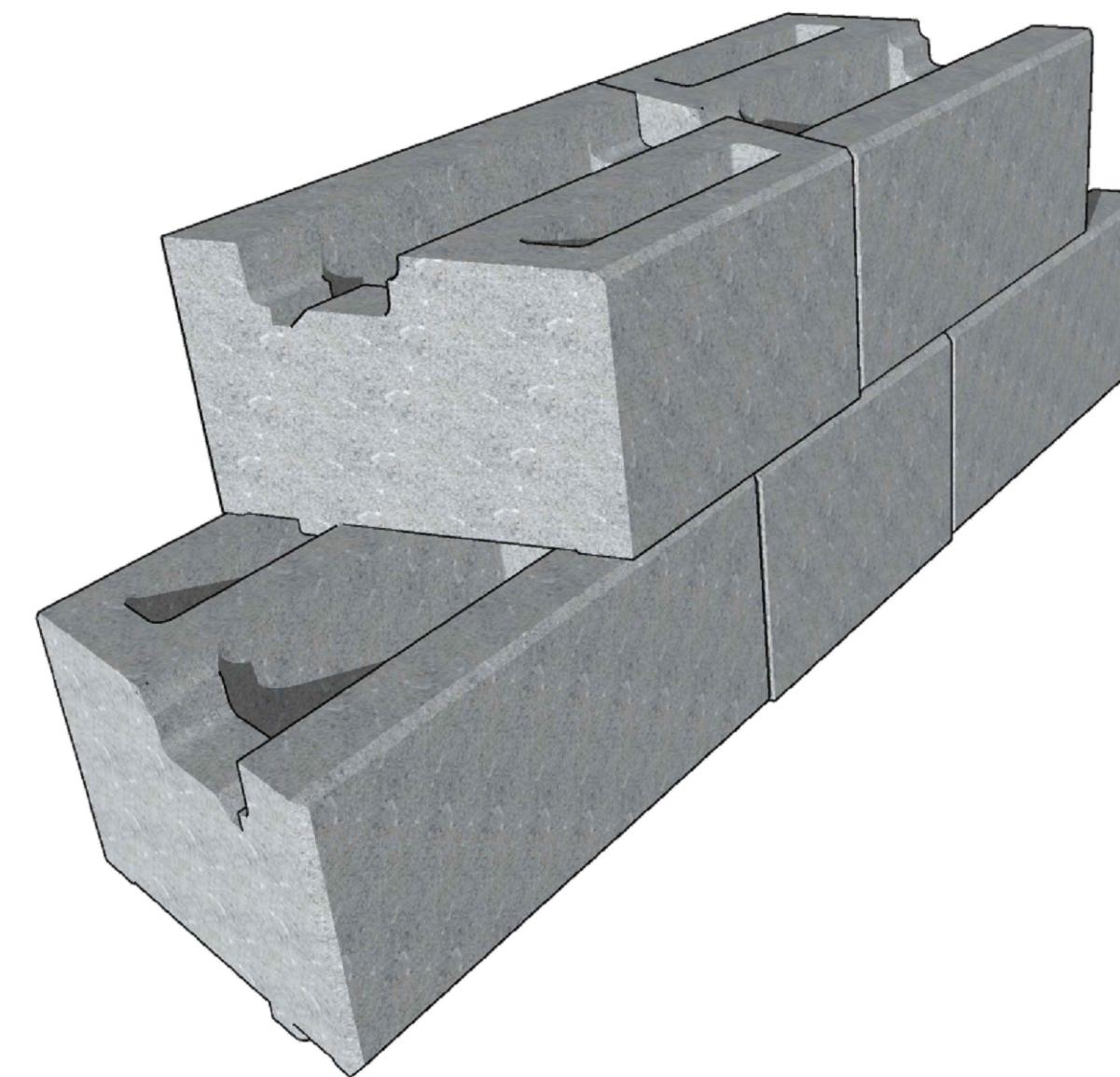
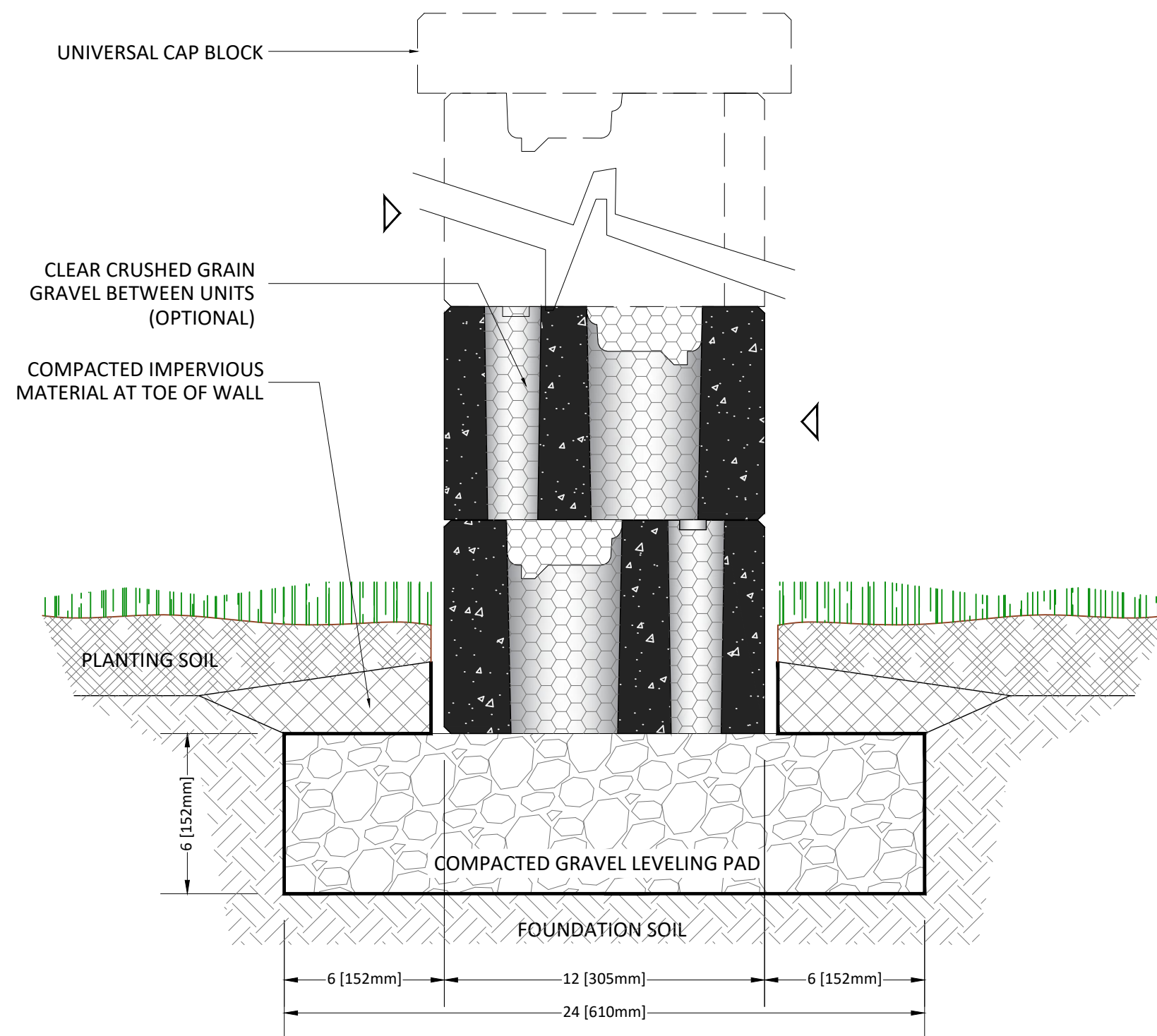
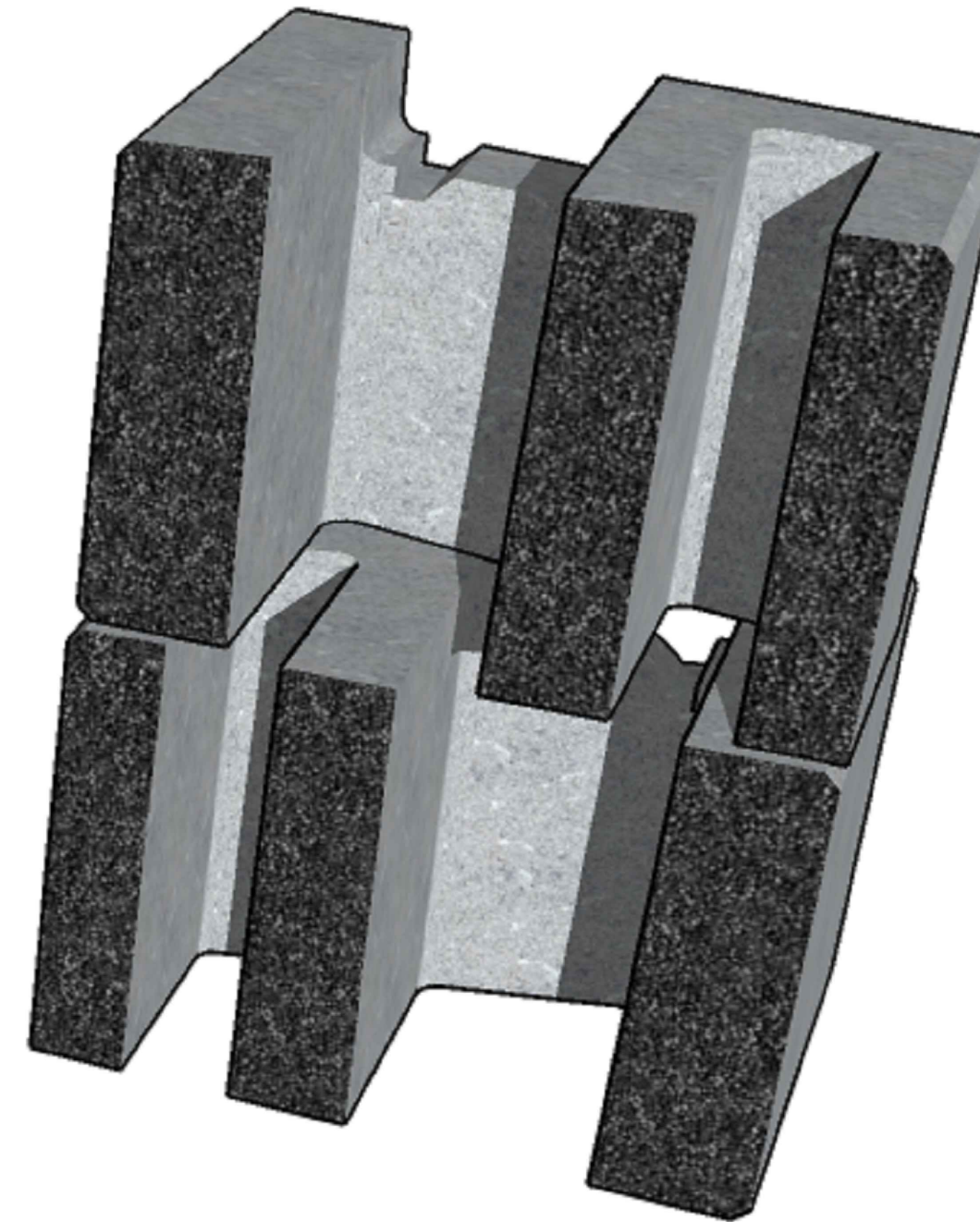
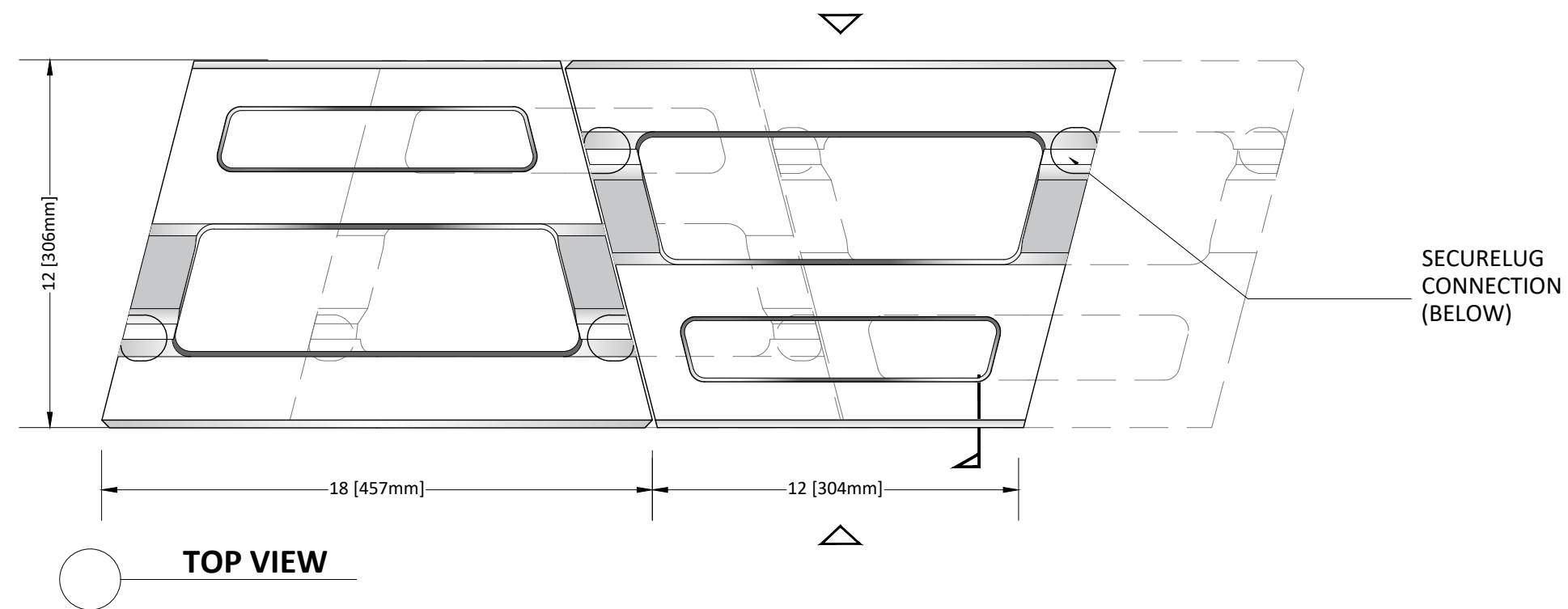
General Notes

01	DESIGN DEVELOPMENT	13MAR2025
00	CONCEPT	14FEB2025
No.	Revision/Issue	Date



Drawing title
INGO PRO RETENTION WALL DETAILS

Project	INGO PRO BLOCK DETAILS	Sheet
Date		
Scale / Paper size	1:10 / A3	202



ISOMETRIC VIEW

General Notes

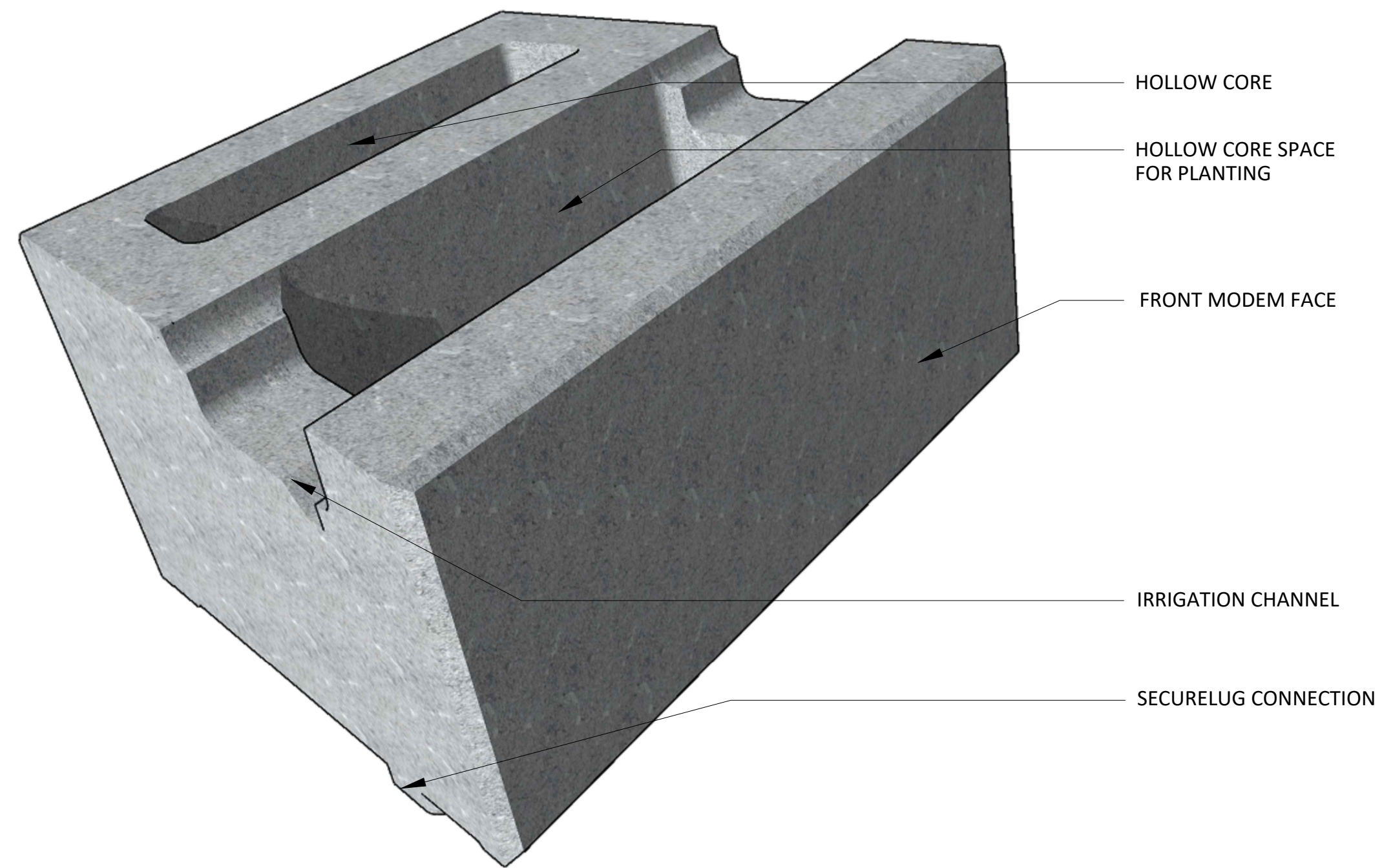
01	DESIGN DEVELOPMENT	13MAR2025
00	CONCEPT	14FEB2025
No.	Revision/Issue	Date



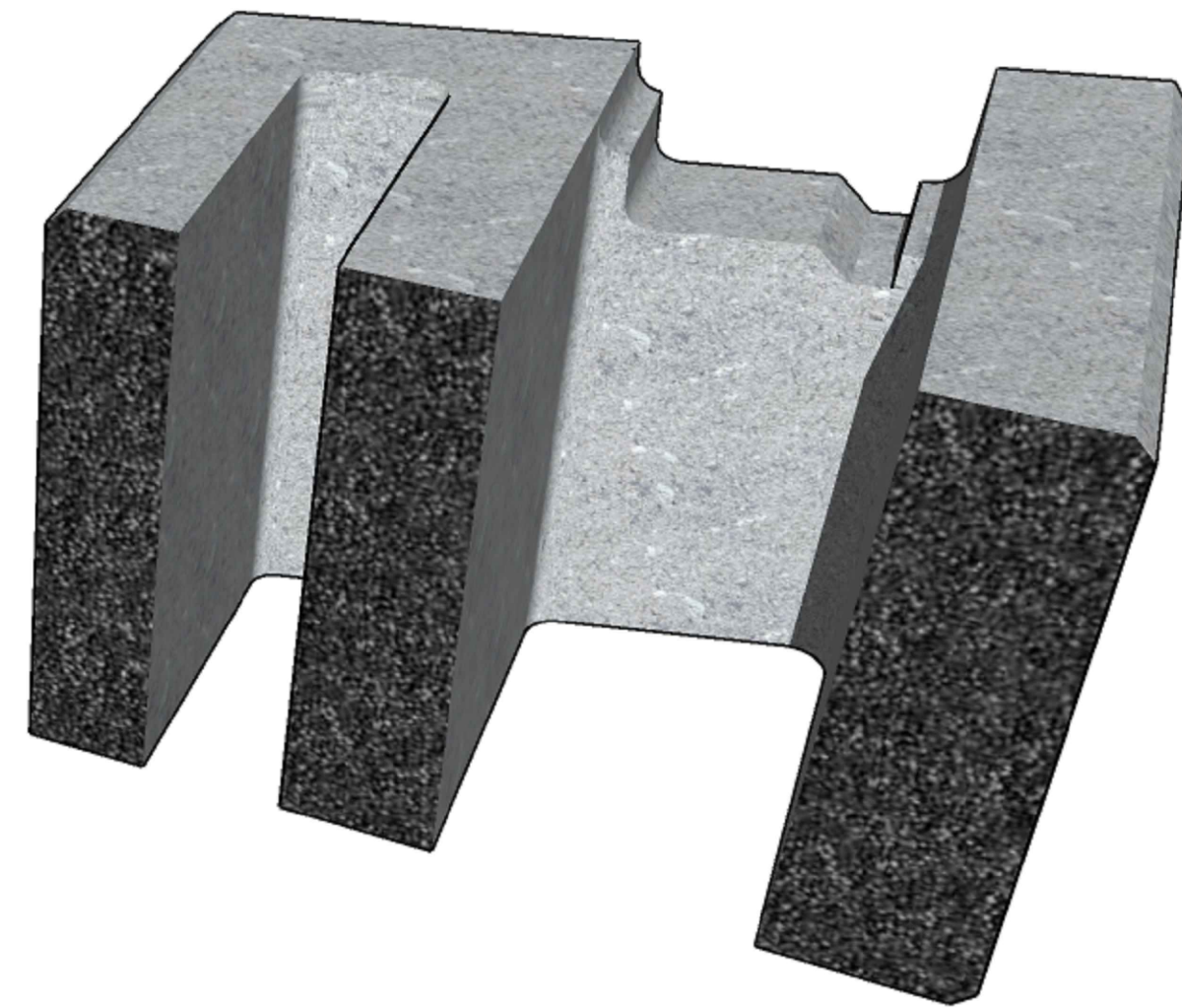
Drawing title

**INGO PRO
FREESTANDING WALL
DETAILS**

Project	INGO PRO BLOCK DETAILS	Sheet
Date		
Scale / Paper size	1:10 / A3	203



○ STANDARD BLOCK ISOMETRIC VIEW



○ CROSS SECTION ISOMETRIC VIEW

General Notes

01	DESIGN DEVELOPMENT	13MAR2025
00	CONCEPT	14FEB2025
No.	Revision/Issue	Date



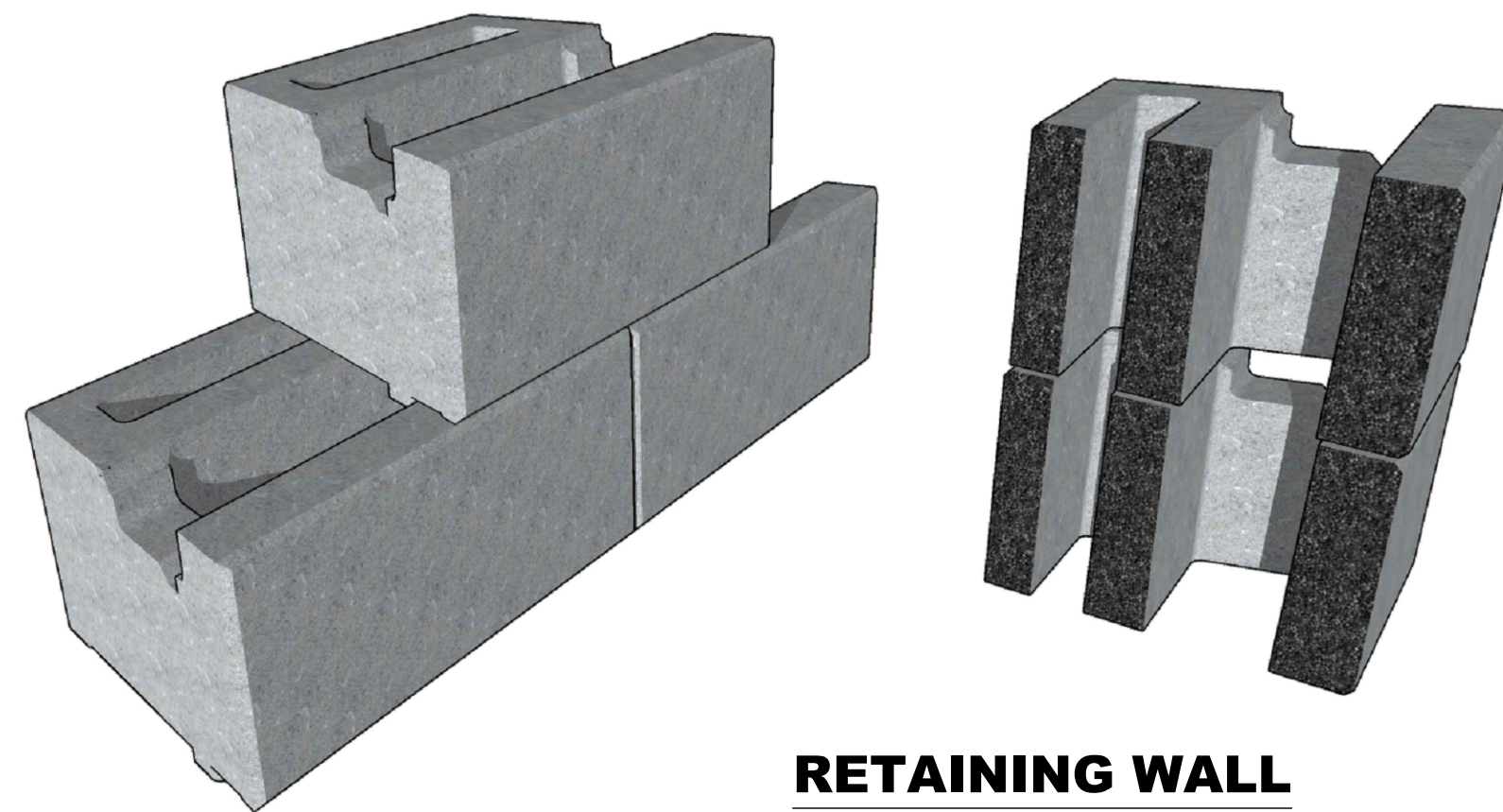
Drawing title

INGO -PRO BLOCK ISOMETRIC VIEW

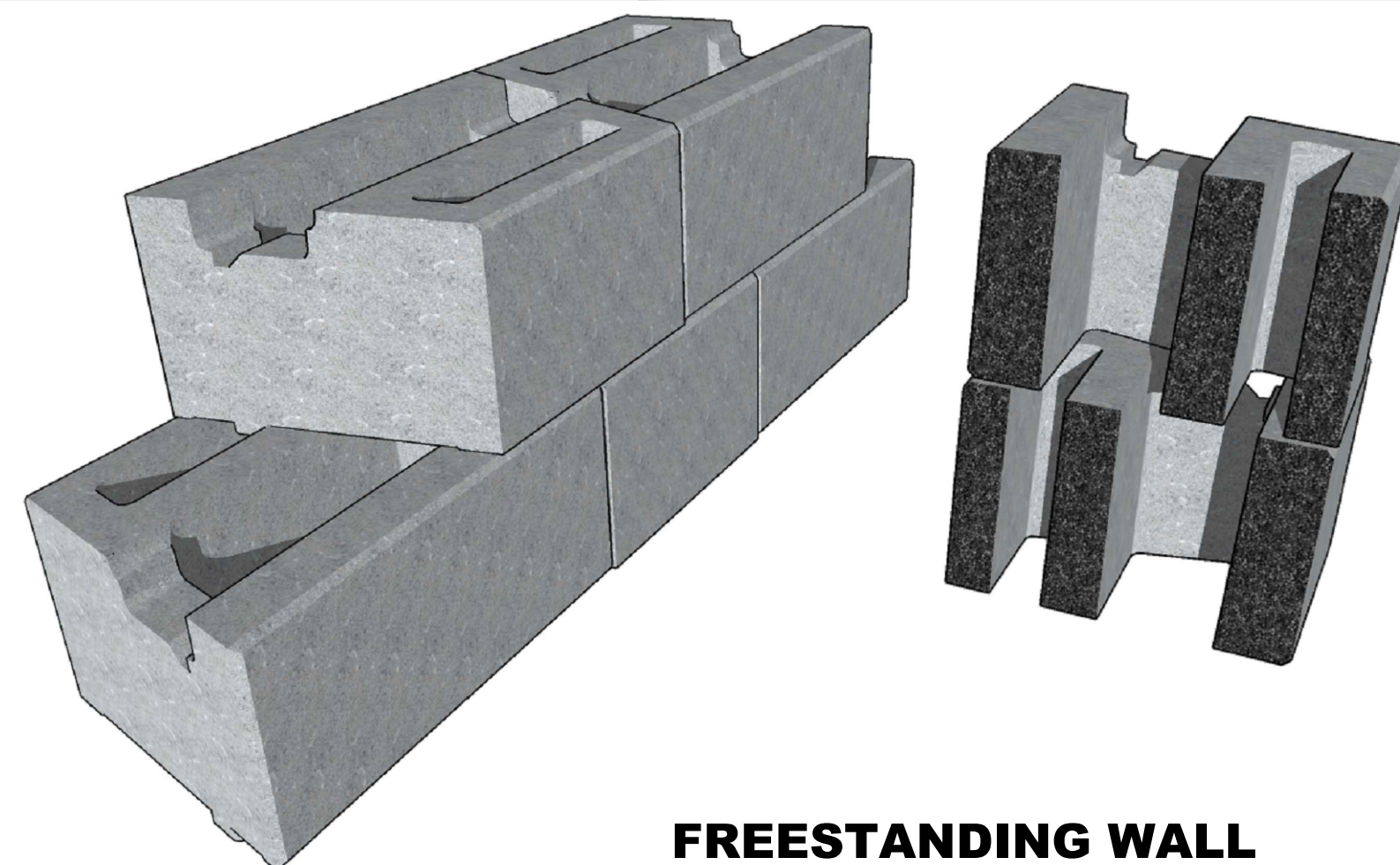
Project	INGO PRO BLOCK DETAILS	Sheet
Date		
Scale / Paper size	1:10 / A3	301



PLANTABLE WALL



RETAINING WALL



FREESTANDING WALL

General Notes

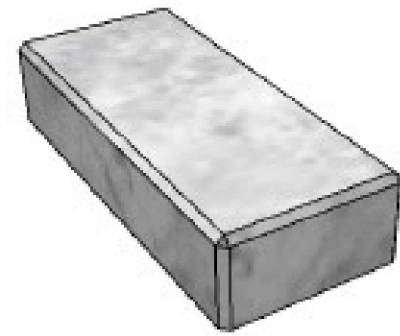
01	DESIGN DEVELOPMENT	13MAR2025
00	CONCEPT	14FEB2025
No.	Revision/Issue	Date



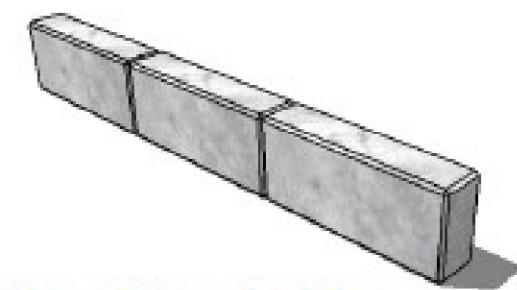
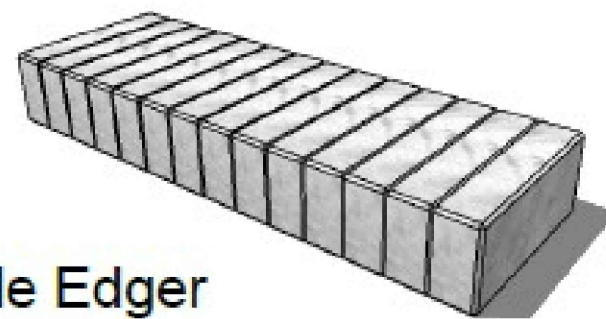
Drawing title
**INGO -PRO BLOCK
 PERSPECTIVE**

Project	INGO PRO BLOCK DETAILS	Sheet
Date		
Scale / Paper size	1:10 / A3	302

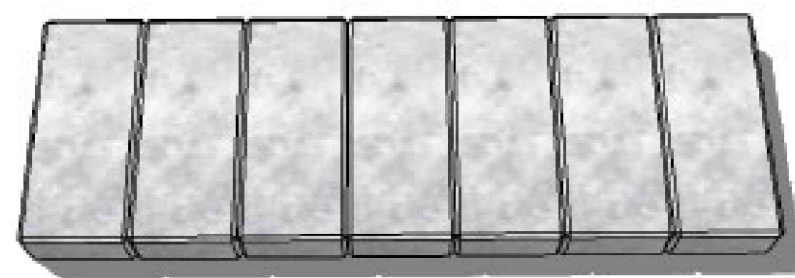
Cap | Corner | Paver | Edger



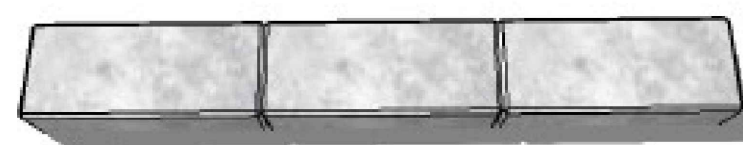
Side Edger



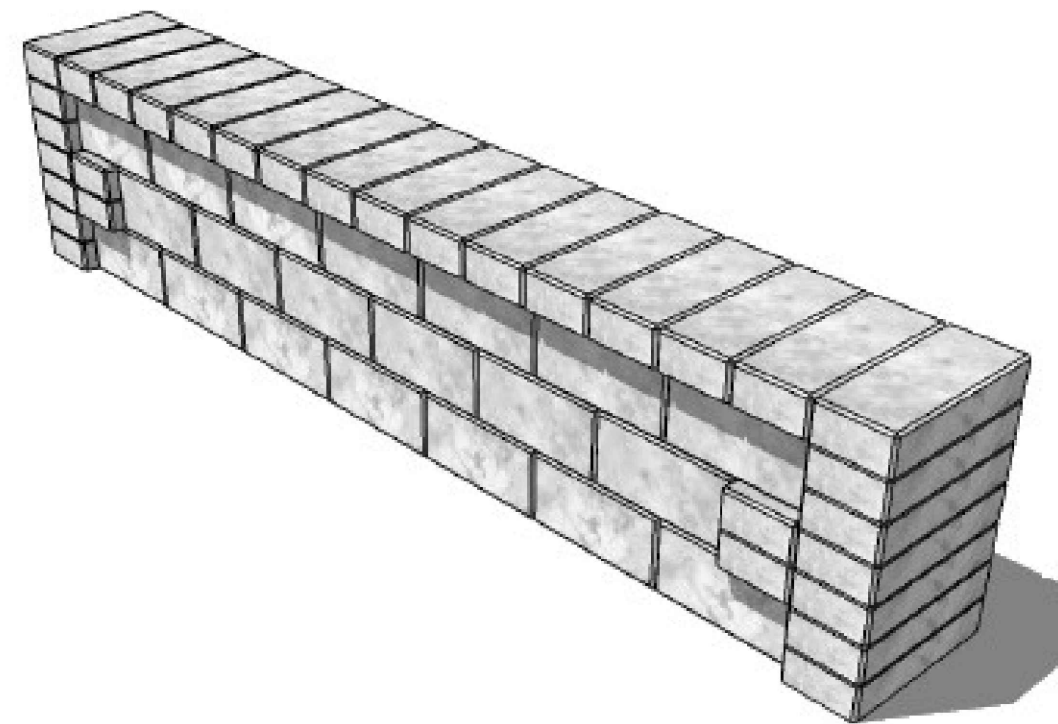
Running Bond Edger



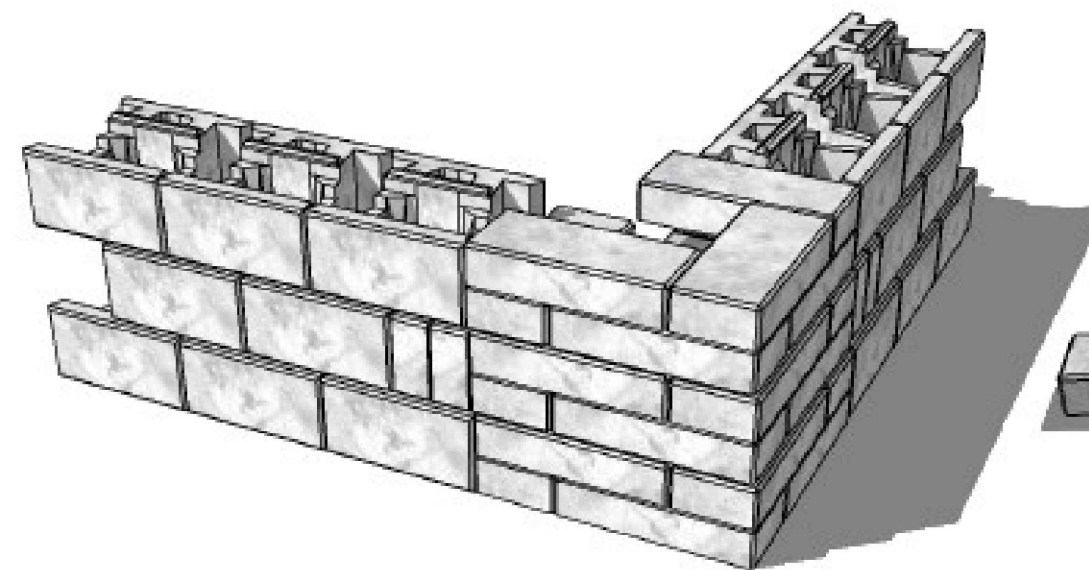
Soldier Border Cap



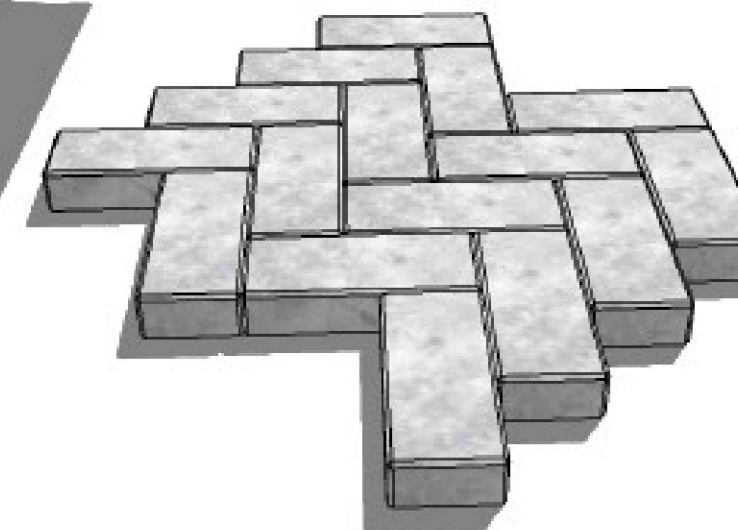
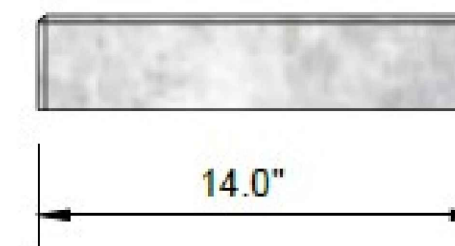
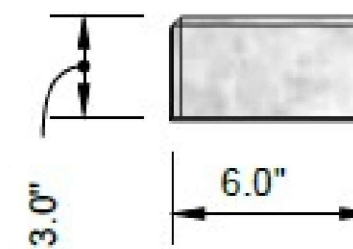
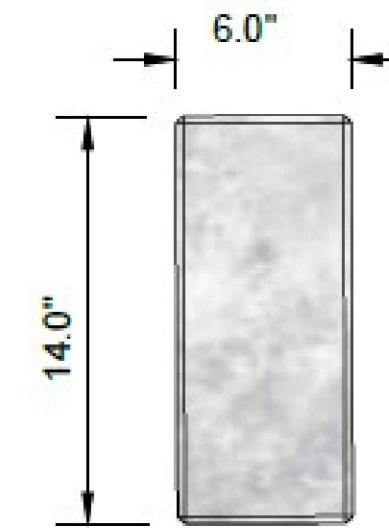
Running Bond Cap



Waterfall Freestanding End



Retaining Wall Corner



Herringbone Paver

General Notes

01	DESIGN DEVELOPMENT	13MAR2025
00	CONCEPT	14FEB2025
No.	Revision/Issue	Date



Drawing title
INGO PRO ACCESSORIES UNIVERSAL CAP

Project	INGO PRO BLOCK DETAILS	Sheet
Date		
Scale / Paper size	1:10 / A3	102